

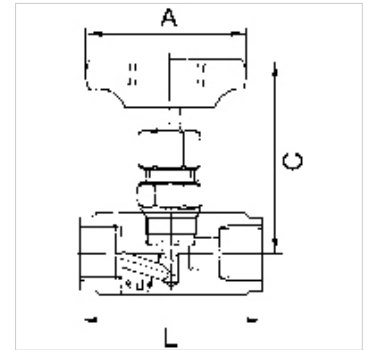
# K-NADELVENTILE VA

Needle valves

**HANSA FLEX**

## Características

<b>Pressão operacional</b>	max. 400 bar (at 20 °C); max. 250 bar (at G 1 - 20 °C)
<b>Temperatura operacional</b>	-20 °C to +120 °C
<b>Material de vedação</b>	PTFE
<b>Carcaça</b>	Stainless steel 1.4571
<b>Volante</b>	Plastic
<b>Material</b>	Vedação: PTFE



## Nota

G thread acc. to DIN EN ISO 228-1, with ISO flange plate (acc. to ISO 5211)  
Outras indicações a pedido.

## Instruções de encomenda

For use on devices that have to be vented whenever they are turned off, either because of safety regulations or for technical reasons. The pneumatic devices are disconnected from the system and simultaneously vented each time they are shut off.

## Informações adicionais

Port sizes G 1 1/4, G 1 1/2 and G 2 available on request

## Artigo

Descrição	DN	Rosca	A (mm)	C (mm)	L (mm)
K- 07 30 24 03	4	G 1/8	50,0	74,0	50,0
K- 07 30 24 04	5	G 1/4	50,0	73,0	50,0
K- 07 30 24 05	6	G 3/8	50,0	72,0	55,0
K- 07 30 24 06	8	G 1/2	63,0	83,0	60,0
K- 07 30 24 07	10	G 3/4	63,0	100,0	75,0
K- 07 30 24 08	12	G 1	80,0	110,0	100,0