

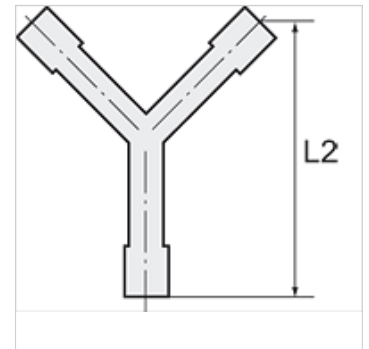
# K-Y-SCHLAUCHVERB W9 POM

Y-hose connectors, 90° angle, POM

**HANSA FLEX**

## Características

Faixa de temperatura -40 °C to +90 °C



## Nota

Outras indicações a pedido.

## Descrição

Lightweight tube connectors distinguished by high strength, toughness, resistance to abrasion and impact resistance. Resistant to: Acetone, benzene, benzene, butane, alcohols, diesel fuels, crude oil, natural gas, ethanol, fruit juices, glycerine, fuel oil, hydraulic fluids, aliphatic ketones, carbon dioxide, carbonic acid, engine oils, methanol, propane, liquefied gas, lubricating oils, lubricating greases, town gas, washing liquor and water.

## Artigo

Descrição	para mangueira	L2 (mm)	Sobrepresão máx. permitida (bar)
K- 07 40 17 38	LW 3 mm	21,0	10
K- 07 40 17 39	LW 4 mm	25,5	10
K- 07 40 17 40	LW 5 mm	43,0	10
K- 07 40 17 41	LW 6 mm	44,0	10
K- 07 40 17 42	LW 8 mm	51,0	10
K- 07 40 17 43	LW 10 mm	54,0	10
K- 07 40 17 44	LW 12 mm	64,0	10
K- 07 40 17 45	LW 13 mm	65,0	10
K- 07 40 17 46	LW 16 mm	67,0	10
K- 07 40 17 47	LW 19 mm	72,0	10