

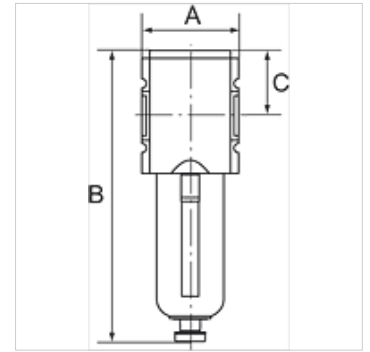
K-FI AK KOH PC-BEHAE SCHUTZK HANSA

Activated carbon filters

HANSA FLEX

Características

Pressão de entrada	0 - 16 bar
Faixa de temperatura	-10 °C to +50 °C
Fluidos	Ar comprimido
Rosca de conexão	Material: Die-cast zinc
Reservatório	Polycarbonate (with bayonet lock)
Elemento filtrante	Activated carbon
Carcaça	Material: Grivory® (PA 66)
Cesto de proteção	Polyamide
Teor de óleo residual	0.005 mg/m ³ , class 0 acc. to DIN ISO 8573-1
Medição do valor de fluxo	At P2 = 6 bar and pressure drop $\Delta p = 0.5$ bar



Nota

Outras indicações a pedido.

Descrição

Activated carbon filters in modern design for compliance with strict compressed air purity requirements. Activated carbon filters are used to absorb oil vapour up to a residual oil content of 0.005 mg/m³ from compressed air and gases.

Artigo

Descrição	Rosca	Fluxo (L/min)	A (mm)	B	C (mm)
K- 07 25 10 41	G 1/4	500	52,0	157,0 mm	34,0
K- 07 25 10 42	G 3/8	500	52,0	157,0 mm	34,0
K- 07 25 10 43	G 3/8	1600	63,0	183,0 mm	42,5
K- 07 25 10 44	G 1/2	1600	63,0	183,0 mm	42,5
K- 07 25 10 23	G 3/4	3000	85,0	240,5 mm	58,0
K- 07 25 10 24	G 1	3000	85,0	240,5 mm	58,0

Acessório para

K-HALTERBAUSATZ HANSA	Holder HANSA
K-ERSATZBEHAELTER HANSA POLY	Spare tank HANSA polycarbonat