

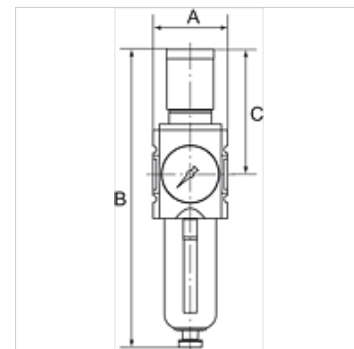
K-FI REGL PC-BEHÄEL S MANO HANSA

Filter regulators

HANSA FLEX

Características

Pressão de entrada	1.5 - 16 bar
Pressão de saída	0.5 - 8 bar
Faixa de temperatura	-10 °C to +50 °C
Fluidos	Ar comprimido
Unidade filtrante	5,00 µm
Rosca de conexão	Material: Die-cast zinc
Reservatório	Polycarbonate (with bayonet lock)
Elemento filtrante	Cellpor (PE)
Carcaça	Material: Grivory® (PA 66)
Membrana	NBR
Consumo de ar próprio	Max. 1.5 l/min (depending on secondary pressure)
Medição do valor de fluxo	At P1 = 10 bar, P2 = 6.3 bar and pressure drop Δp = 1 bar



Nota

Outras indicações a pedido.

Descrição

Filter regulators with excellent flow rates in modern design. The regulator knob can be latched and locked.

Instruções de encomenda

The price does not include a key lock. Please order separately.

Artigo

Descrição	Rosca	Fluxo (L/min)	A (mm)	B	C (mm)	Tamanho	Descarga de condensado
K- 07 25 06 57	G 1/4	2200	52,0	225,0 mm	95,5	-	Semi
K- 07 25 06 58	G 3/8	2600	52,0	225,0 mm	95,5	-	Semi
K- 07 25 06 59	G 3/8	4300	63,0	257,0 mm	110,0	-	Semi
K- 07 25 06 60	G 1/2	5200	63,0	257,0 mm	110,0	-	Semi
K- 07 25 06 53	G 3/4	14000	85,0	329,0 mm	137,0	-	Semi
K- 07 25 06 54	G 1	14000	85,0	329,0 mm	137,0	-	Semi
K- 07 25 06 61	G 1/4	2200	52,0	243,0 mm	95,5	-	Auto
K- 07 25 06 62	G 3/8	2600	52,0	243,0 mm	95,5	-	Auto
K- 07 25 06 63	G 3/8	4300	63,0	274,0 mm	110,0	-	Auto
K- 07 25 06 64	G 1/2	5200	63,0	274,0 mm	110,0	-	Auto
K- 07 25 06 55	G 3/4	14000	85,0	343,0 mm	137,0	4	Auto
K- 07 25 06 56	G 1	14000	85,0	343,0 mm	137,0	4	Auto

Acessórios

K-STECKSCHLOSS Key lock

Acessório para

K-HALTERBAUSATZ HANSA	Holder HANSA
K-ERSATZBEHAELTER HANSA POLY	Spare tank HANSA polycarbonat
K-SCHALTAFELMUTTER HANSA	Nut HANSA
K-FILTERELEMENT	Filter element
K-DICHTSATZ HANSA	Set of seals HANSA