

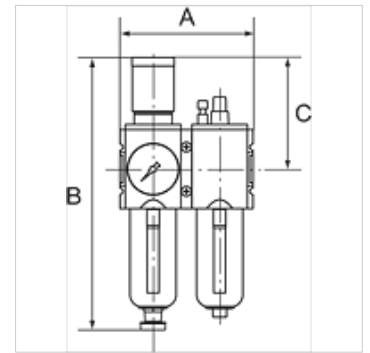
# K-WTEH 2-TLG PC SCHU MANO HANSA

Service units, 2-piece with polycarbonate bowl, bowl guard and pressure gauge

**HANSA FLEX**

## Características

Pressão de entrada	1.5 - 16 bar
Pressão de saída	0.5 - 8 bar
Faixa de temperatura	-10 °C to +50 °C
Fluidos	Ar comprimido
Unidade filtrante	5,00 µm
Rosca de conexão	Material: Die-cast zinc
Reservatório	Polycarbonate (with bayonet lock)
Elemento filtrante	Cellpor (PE)
Carcaça	Material: Grivory® (PA 66)
Membrana	NBR
Cesto de proteção	Polyamide
Acessório para gotejamento	PA
Consumo de ar próprio	Max. 1.5 l/min (depending on secondary pressure)
Medição do valor de fluxo	At P1 = 10 bar, P2 = 6.3 bar and pressure drop $\Delta p = 1$ bar



## Nota

Outras indicações a pedido.

## Descrição

Two or three-piece service units with excellent flow rates in modern design. Lockable diaphragm pressure regulator with secondary ventilation, oil can be filled without interrupting operation.

## Instruções de encomenda

The price does not include a key lock. Please order separately.

## Artigo

Descrição	Rosca	Fluxo (L/min)	A (mm)	B	C (mm)	Descarga de condensado
K- 07 25 14 77	G 1/4	1800	104,0	225,0 mm	95,5	Semi
K- 07 25 14 78	G 3/8	1800	104,0	225,0 mm	95,5	Semi
K- 07 25 14 79	G 3/8	3500	126,0	257,0 mm	110,0	Semi
K- 07 25 14 80	G 1/2	3500	126,0	257,0 mm	110,0	Semi
K- 07 25 14 81	G 3/4	12000	170,0	329,0 mm	137,0	Semi
K- 07 25 14 82	G 1	12000	170,0	329,0 mm	137,0	Semi
K- 07 25 14 83	G 1/4	1800	104,0	243,0 mm	95,5	Auto
K- 07 25 14 84	G 3/8	1800	104,0	243,0 mm	95,5	Auto
K- 07 25 14 85	G 3/8	3500	126,0	274,0 mm	110,0	Auto
K- 07 25 14 86	G 1/2	3500	126,0	274,0 mm	110,0	Auto
K- 07 25 14 87	G 3/4	12000	170,0	343,0 mm	137,0	Auto
K- 07 25 14 88	G 1	12000	170,0	343,0 mm	137,0	Auto

## Acessórios

K-STECKSCHLOSS Key lock

## Acessório para

K-HALTERBAUSATZ HANSA	Holder HANSA
K-ERSATZBEHAELTER HANSA POLY	Spare tank HANSA polycarbonat
K-FILTERELEMENT	Filter element
K-TROPFAUFSATZ HANSA	Drip attachment HANSA

# K-WTEH 2-TLG PC SCHU MANO HANSA

Service units, 2-piece with polycarbonate bowl, bowl guard and pressure gauge

**HANSA FLEX**

---