

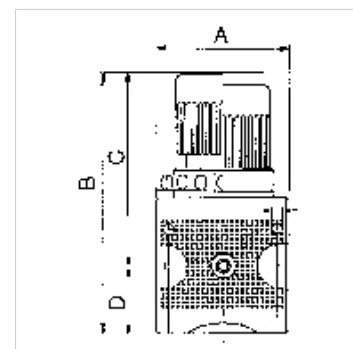
# K-DRG MULTIFIX

Pressure regulators

**HANSA FLEX**

## Características

Pressão de entrada	Max. 16 bar
Temperatura do fluido	max. 60 °C
Temperatura ambiente	Max. 60 °C
Material de vedação	NBR
Tampa da mola	POM-brass
Carcaça	Die-cast zinc, Aluminium for G 1 variant
Medição do valor de fluxo	At P1 = 8 bar, P2 = 6 bar and pressure drop $\Delta p = 1$ bar



## Nota

Outras indicações a pedido.

## Descrição

Reversible diaphragm pressure regulators, independent of inlet pressure, with self-relieving design. The pressure setting can be locked by pushing the button down.

## Instruções de encomenda

Lockable pressure regulators K-07250008 and K-07250012. Lockable pressure regulators K-07250016 and K-07250020. Lockable pressure regulator K-07250024. Prices on request.

## Artigo

Descrição	Rosca	Faixa de regulagem	Fluxo (L/min)	A (mm)	B	C (mm)	D (mm)	DN	Tamanho
K- 07 25 00 10	G 1/4	0.1 - 3 bar	1500	47,8	94,8 mm	67,0	27,8	6	1
K- 07 25 00 11	G 1/4	0.2 - 6 bar	1500	47,8	94,8 mm	67,0	27,8	6	1
K- 07 25 00 08	G 1/4	0.5 - 10 bar	1500	47,8	94,8 mm	67,0	27,8	6	1
K- 07 25 00 09	G 1/4	0.5 - 16 bar	1500	47,8	94,8 mm	67,0	27,8	6	1
K- 07 25 00 14	G 3/8	0.1 - 3 bar	1500	47,8	94,8 mm	67,0	27,8	10	1
K- 07 25 00 15	G 3/8	0.2 - 6 bar	1500	47,8	94,8 mm	67,0	27,8	10	1
K- 07 25 00 12	G 3/8	0.5 - 10 bar	1500	47,8	94,8 mm	67,0	27,8	10	1
K- 07 25 00 13	G 3/8	0.5 - 16 bar	1500	47,8	94,8 mm	67,0	27,8	10	1
K- 07 25 00 18	G 1/2	0.1 - 3 bar	6000	68,8	134,1 mm	99,0	35,1	15	2
K- 07 25 00 19	G 1/2	0.2 - 6 bar	6000	68,8	134,1 mm	99,0	35,1	15	2
K- 07 25 00 16	G 1/2	0.5 - 10 bar	6000	68,8	134,1 mm	99,0	35,1	15	2
K- 07 25 00 17	G 1/2	0.5 - 16 bar	6000	68,8	134,1 mm	99,0	35,1	15	2
K- 07 25 00 22	G 3/4	0.1 - 3 bar	6000	68,8	134,1 mm	99,0	35,1	20	2
K- 07 25 00 23	G 3/4	0.2 - 6 bar	6000	68,8	134,1 mm	99,0	35,1	20	2
K- 07 25 00 20	G 3/4	0.5 - 10 bar	6000	68,8	134,1 mm	99,0	35,1	20	2
K- 07 25 00 21	G 3/4	0.5 - 16 bar	6000	68,8	134,1 mm	99,0	35,1	20	2
K- 07 25 00 25	G 1	0.1 - 3 bar	12500	100,0	179,5 mm	128,0	51,5	25	3
K- 07 25 00 26	G 1	0.2 - 6 bar	12500	100,0	179,5 mm	128,0	51,5	25	3
K- 07 25 00 24	G 1	0.5 - 10 bar	12500	100,0	179,5 mm	128,0	51,5	25	3
K- 07 25 19 55	G 1	0.5 - 16 bar	12500	100,0	179,5 mm	128,0	51,5	25	3

## Acessório para

K-HALTERBAUSATZ	Holder
K-SCHALTTAFELMUTTER	Nut
K-HALTERBAUSATZ MULTIFIX	Holder
K-KOPPELPAKET MEHR	Coupling packet
K-KOPPELPAKET SCHMA	Coupling packet
K-VERSCHLEI-SATZ	Set of wearing parts