

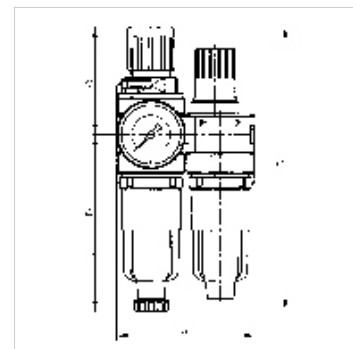
K-WTEH 2-TLG MET TROPF MULTIFIX MIN

Service units, 2-piece with metal bowl and metal sight dome

HANSA FLEX

Características

Pressão de entrada	Max. 12 bar (also for metal tank!)
Temperatura do fluido	max. 60 °C
Temperatura ambiente	Max. 60 °C
Dimensão dos poros no elemento filtrante	5 µm
Material de vedação	NBR
Tampa da mola	POM-brass
Carcaça	Die-cast zinc
Acessório para gotejamento	PA (polycarbonate bowl), Zinc-glass-NBR (metal bowl)
Drain valve	Semi-automatic
Medição do valor de fluxo	At P1 = 8 bar, P2 = 6 bar and pressure drop $\Delta p = 1$ bar



Nota

Outras indicações a pedido.

Descrição

Two or three-piece service units consisting of a diaphragm pressure regulator, independent of inlet pressure, with self-relieving design, combined with a centrifugal separator and a proportional lubricator.

Instruções de encomenda

Lockable service units available on request. If several devices in the »multifix-mini« Series are assembled together, the maximum working pressure is 12 bar.

Artigo

Descrição	Rosca	Faixa de regulagem	Fluxo (L/min)	A (mm)	B	C (mm)	D (mm)	DN	Tamanho
K- 07 25 01 26	G 1/8	0.5 - 10 bar	700	80,0	162,0 mm	63,0	99,0	5	0
K- 07 25 01 28	G 1/4	0.5 - 10 bar	700	80,0	162,0 mm	63,0	99,0	5	0

Acessório para

K-HALTERBAUSATZ	Holder
K-AUTOMAT ABLASSVENTIL	Automatic drain valve
K-SCHALTTAFELMUTTER	Nut
K-KOPPELPAKET MEHR	Coupling packet
K-PC-BEHAELTER FILTER MULTIFIX	Polycarbonate tank filter
K-ERSATZBEHAELTER MULTI MINI	Spare tank »multifix-mini« & »standard-mini«
K-FILTERELEMENT	Filter element
K-VERSCHLEI-SATZ	Set of wearing parts
K-TROPFAUFSATZ POLYCARBO 1	Drip attachment polycarbonate
K-TROPFAUFSATZ METALL	Drip attachment metal