

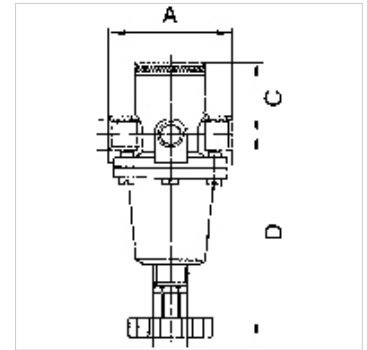
# K-DRG SCHALTTAFELEINBAU STANDARD

Pressure regulators

**HANSA FLEX**

## Características

<b>Pressão de entrada</b>	Max. 16 bar (K-07250359 - K-07250366), max. 25 bar (K-07250367 - K-07250378)
<b>Temperatura do fluido</b>	max. 60 °C
<b>Temperatura ambiente</b>	Max. 80 °C
<b>Material de vedação</b>	NBR
<b>Carcaça</b>	Die-cast zinc, painted silver
<b>Medição do valor de fluxo</b>	At P1 = 8 bar, P2 = 6 bar and pressure drop $\Delta p = 1$ bar
<b>Outras indicações</b>	User manual on request



## Descrição

- incl. panel nut and washer -, Reversible diaphragm pressure regulators, independent of inlet pressure, with self-relieving design.

## Artigo

Descrição	Rosca	Faixa de regulagem	Fluxo (L/min)	A (mm)	C (mm)	D (mm)	DN	Rosca Painel de instrumentos
<b>K- 07 25 03 59</b>	G 1/4	0.5 - 3 bar	1000	54,0	32,0	97,5	6	M 20 x 1.5
<b>K- 07 25 03 60</b>	G 1/4	0.5 - 6 bar	1000	54,0	32,0	97,5	6	M 20 x 1.5
<b>K- 07 25 03 61</b>	G 1/4	0.5 - 10 bar	1000	54,0	32,0	97,5	6	M 20 x 1.5
<b>K- 07 25 03 62</b>	G 1/4	0.5 - 16 bar	1000	54,0	32,0	97,5	6	M 20 x 1.5
<b>K- 07 25 03 63</b>	G 3/8	0.5 - 3 bar	1000	54,0	32,0	97,5	6	M 20 x 1.5
<b>K- 07 25 03 64</b>	G 3/8	0.5 - 6 bar	1000	54,0	32,0	97,5	6	M 20 x 1.5
<b>K- 07 25 03 65</b>	G 3/8	0.5 - 10 bar	1000	54,0	32,0	97,5	6	M 20 x 1.5
<b>K- 07 25 03 66</b>	G 3/8	0.5 - 16 bar	1000	54,0	32,0	97,5	6	M 20 x 1.5
<b>K- 07 25 03 67</b>	G 1/2	0.1 - 3 bar	2200	70,0	34,0	111,9	15	M 20 x 1.5
<b>K- 07 25 03 68</b>	G 1/2	0.5 - 6 bar	2200	70,0	34,0	111,9	15	M 20 x 1.5
<b>K- 07 25 03 69</b>	G 1/2	0.5 - 10 bar	2200	70,0	34,0	111,9	15	M 20 x 1.5
<b>K- 07 25 03 70</b>	G 1/2	0.5 - 16 bar	2200	70,0	34,0	111,9	15	M 20 x 1.5
<b>K- 07 25 03 71</b>	G 3/4	0.1 - 3 bar	5000	90,0	31,0	132,4	20	M 20 x 1.5
<b>K- 07 25 03 72</b>	G 3/4	0.5 - 6 bar	5000	90,0	31,0	132,4	20	M 20 x 1.5
<b>K- 07 25 03 73</b>	G 3/4	0.5 - 10 bar	5000	90,0	31,0	132,4	20	M 20 x 1.5
<b>K- 07 25 03 74</b>	G 3/4	0.5 - 16 bar	5000	90,0	31,0	132,4	20	M 20 x 1.5
<b>K- 07 25 03 75</b>	G 1	0.1 - 3 bar	5000	90,0	31,0	132,4	25	M 20 x 1.5
<b>K- 07 25 03 76</b>	G 1	0.5 - 6 bar	5000	90,0	31,0	132,4	25	M 20 x 1.5
<b>K- 07 25 03 77</b>	G 1	0.5 - 10 bar	5000	90,0	31,0	132,4	25	M 20 x 1.5
<b>K- 07 25 03 78</b>	G 1	0.5 - 16 bar	5000	90,0	31,0	132,4	25	M 20 x 1.5

## Acessório para

<b>K-HALTERBAUSATZ STANDARD</b>	Holder
<b>K-VERSCHLEI-SATZ</b>	Set of wearing parts
<b>K-LOESBARE DOPPELNIPPEL MS</b>	Double nipples
<b>K-XV AGM MS NI</b>	Double nipples, parallel male thread, nickel-plated brass