

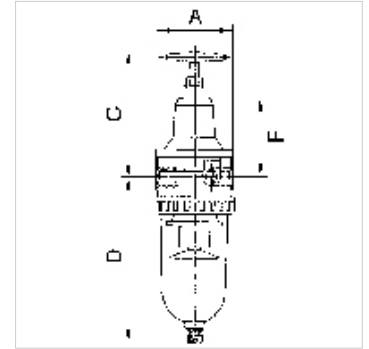
K-FI REGL PC-BEHÄLTER H ABLV STANDARD

Filter regulators with polycarbonate bowl and semi-automatic drain valve

HANSA FLEX

Características

Pressão de entrada	Max. 16 bar (polycarbonate bowl), Max. 25 bar (metal bowl)
Faixa de regulação	0.5 to 10 bar (polycarbonate bowl), 0.5 to 16 bar (metal bowl)
Temperatura do fluido	max. 60 °C
Temperatura ambiente	Max. 60 °C
Dimensão dos poros no elemento filtrante	5 µm (Size 1 / Size 3), 40 µm (Size 2 / Size 4)
Material de vedação	NBR
Carcaça	Die-cast zinc (G1/4 to G1/2), silver painted/aluminium (G3/4 to G1), silver painted
Medição do valor de fluxo	At P1 = 8 bar, P2 = 6 bar and pressure drop $\Delta p = 1$ bar



Nota

Outras indicações a pedido.

Descrição

Reversible diaphragm pressure regulators, independent of inlet pressure, with selfrelieving design, combined with a centrifugal separator.

Artigo

Descrição	Rosca	Fluxo (L/min)	A (mm)	C (mm)	D (mm)	DN	F (mm)
K- 07 25 06 67	G 1/4	900	54,0	106,5	129,7	8	62,0
K- 07 25 06 70	G 3/8	900	54,0	106,5	129,7	8	62,0
K- 07 25 06 73	G 3/8	1500	70,0	120,5	145,9	11	76,5
K- 07 25 06 76	G 1/2	3000	82,0	130,0	169,4	14	83,0
K- 07 25 06 79	G 3/4	7000	125,0	190,6	261,4	25	145,0
K- 07 25 06 82	G 1	7000	125,0	190,6	261,4	25	145,0

Acessório para

K-HALTERBAUSATZ STANDARD	Holder
K-SCHUTZKORB G	Protective cage
K-FILTERELEMENT	Filter element
K-VERSCHLEI-SATZ	Set of wearing parts
K-XV AGM MS NI	Double nipples, parallel male thread, nickel-plated brass
K-LOESBARE DOPPELNIPPEL MS	Double nipples
K-ABLASSVENTIL AUTO	Fully-automatic drain valve with Adapter G 1/8
K-AUTOMAT ABLASSVENTIL	Automatic drain valve