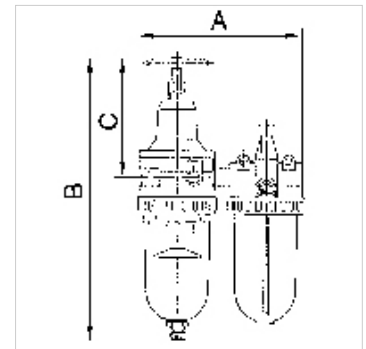


K-WTEH 2-TLG PC SCHU H ABL STANDARD

Service units with polycarbonate bowl, bowl guard and semi-automatic drain valve

HANSA FLEX

Características	
Pressão de entrada	Max. 16 bar (polycarbonate bowl / bowl guard), Max. 25 bar (metal bowl)
Faixa de regulação	0.5 to 10 bar (polycarbonate bowl / bowl guard) 0.5 to 16 bar (metal bowl)
Temperatura do fluido	max. 60 °C
Temperatura ambiente	Max. 60 °C
Dimensão dos poros no elemento filtrante	5 µm (Size 1 / Size 3), 40 µm (Size 2 / Size 4)
Material de vedação	NBR
Carcaça	Die-cast zinc / Aluminium, painted silver
Acessório para gotejamento	PA (polycarbonate bowl), Zinc-glass-NBR (metal bowl)
Medição do valor de fluxo	At P1 = 8 bar, P2 = 6 bar and pressure drop $\Delta p = 1$ bar



Nota

Outras indicações a pedido.

Descrição

Two-piece service units consisting of a reversible diaphragm pressure regulator, independent of inlet pressure, with self-relieving design, combined with a centrifugal separator and a proportional lubricator.

Artigo

Descrição	Rosca	Fluxo (L/min)	A (mm)	B	C (mm)	DN	Ø Manômetro
K- 07 25 14 95	G 1/4	600	117,0	236,2 mm	106,5	6	50
K- 07 25 14 98	G 3/8	600	117,0	236,2 mm	106,5	6	50
K- 07 25 15 01	G 3/8	800	150,0	266,4 mm	120,5	10	63
K- 07 25 15 04	G 1/2	2100	175,0	299,4 mm	130,0	15	63
K- 07 25 15 07	G 3/4	4000	220,0	452,0 mm	190,6	20	63
K- 07 25 15 10	G 1	4000	220,0	452,0 mm	190,6	25	63

Acessório para

K-HALTERBAUSATZ STANDARD	Holder
K-SCHUTZKORB G	Protective cage
K-VERSCHLEI-SATZ	Set of wearing parts
K-FILTERELEMENT	Filter element
K-TROPFAUFSATZ POLYCARBO	Drip attachment polycarbonate
K-XV AGM MS NI	Double nipples, parallel male thread, nickel-plated brass
K-RD NIPPEL MS NI	Reducing nipples - nickel-plated brass
K-LOESBARE DOPPELNIPPEL MS	Double nipples
K-TROPFAUFSATZ METALL	Drip attachment metal
K-ABLASSVENTIL AUTO	Fully-automatic drain valve with Adapter G 1/8
K-AUTOMAT ABLASSVENTIL	Automatic drain valve