

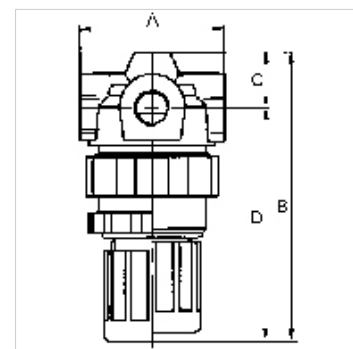
K-DRG STANDARD-MINI

Pressure regulators

HANSA FLEX

Características

Pressão de entrada	Max. 28 bar
Temperatura do fluido	max. 60 °C
Temperatura ambiente	Max. 60 °C
Material de vedação	NBR/TPU
Tampa da mola	POM-brass
Carcaça	Die-cast zinc, painted silver
Medição do valor de fluxo	At P1 = 8 bar, P2 = 6 bar and pressure drop $\Delta p = 1$ bar
Outras indicações	User manual on request



Descrição

Reversible diaphragm pressure regulators with self-relieving design in compact design. The pressure setting can be locked by pushing the knob down.

Artigo

Descrição	Rosca	Faixa de regulagem	Fluxo (L/min)	A (mm)	B	C (mm)	D (mm)	DN
K- 07 25 03 22	G 1/8	0.15 - 3.5 bar	340	43,0	72,5 mm	9,5	63,0	5
K- 07 25 03 23	G 1/8	0.2 - 7.0 bar	340	43,0	72,5 mm	9,5	63,0	5
K- 07 25 03 24	G 1/8	0.5 - 10.0 bar	340	43,0	72,5 mm	9,5	63,0	5
K- 07 25 03 25	G 1/4	0.15 - 3.5 bar	340	43,0	72,5 mm	9,5	63,0	5
K- 07 25 03 26	G 1/4	0.2 - 7.0 bar	340	43,0	72,5 mm	9,5	63,0	5
K- 07 25 03 27	G 1/4	0.5 - 10.0 bar	340	43,0	72,5 mm	9,5	63,0	5

Acessório para

K-HALTERBAUSATZ	Holder
K-SCHALTTAFELMUTTER	Nut
K-LOESBARE DOPPELNIPPEL MS	Double nipples
K-XV AGM MS NI	Double nipples, parallel male thread, nickel-plated brass
K-VERSCHLEI-SATZ	Set of wearing parts