

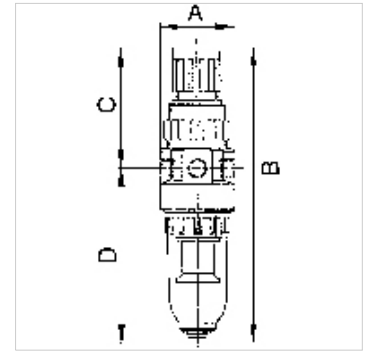
# K-FI REGL METALLBE MANO STANDARD-MI

Filter regulators with metal bowl, incl. pressure gauge and panel nut

**HANSA FLEX**

## Características

<b>Pressão de entrada</b>	Max. 16 bar (polycarbonate bowl), Max. 25 bar (metal bowl)
<b>Temperatura do fluido</b>	max. 60 °C
<b>Temperatura ambiente</b>	Max. 60 °C
<b>Fluxo</b>	350 l/min
<b>Dimensão dos poros no elemento filtrante</b>	5 µm
<b>Material de vedação</b>	NBR
<b>Tampa da mola</b>	POM-brass
<b>Carcaça</b>	Die-cast zinc, painted silver
<b>Drain valve</b>	Semi-automatic for variant with polycarbonate bowl, Manual for variant with metal bowl
<b>Medição do valor de fluxo</b>	At P1 = 8 bar, P2 = 6 bar and pressure drop $\Delta p = 1$ bar



## Nota

Outras indicações a pedido.

## Descrição

Compact, reversible diaphragm pressure regulators, independent of inlet pressure, with self-relieving design, combined with a centrifugal separator.

The pressure setting can be locked by pushing the knob down.

## Artigo

Descrição	Rosca	Faixa de regulagem	A (mm)	B	C (mm)	D (mm)	DN
K- 07 25 06 65	G 1/8	0.5 - 10 bar	40,0	163,5 mm	65,0	98,5	5
K- 07 25 06 66	G 1/4	0.5 - 10 bar	40,0	163,5 mm	65,0	98,5	5

## Acessório para

K-HALTERBAUSATZ	Holder
K-SCHALTAFELMÜTTER	Nut
K-ERSATZBEHAELTER MULTI MINI	Spare tank »multifix-mini« & »standard-mini«
K-PC-BEHAELTER FILTER MULTIFIX	Polycarbonate tank filter
K-FILTERELEMENT	Filter element
K-AUTOMAT ABLASSVENTIL	Automatic drain valve
K-LOESBARE DOPPELNIPPEL MS	Double nipples
K-XV AGM MS NI	Double nipples, parallel male thread, nickel-plated brass
K-VERSCHLEI-SATZ	Set of wearing parts