

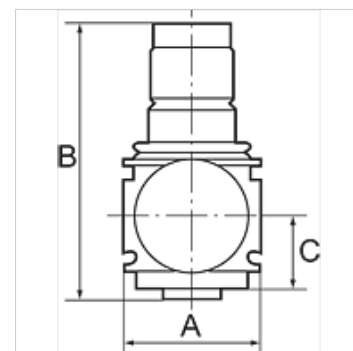
K-DRG DRVS VARIOBLOC

Pressure regulators with pressure supply at both ends

HANSA FLEX

Características

Pressão de entrada	Max. 25 bar
Temperatura do fluido	max. 50 °C
Temperatura ambiente	Max. 50 °C
Material de vedação	NBR
Tampa da mola	POM-brass
Carcaça	Die-cast zinc
Medição do valor de fluxo	At P1 = 10 bar, P2 = 6 bar and pressure drop $\Delta p = 1$ bar



Nota

Outras indicações a pedido.

Descrição

Diaphragm pressure regulators with self-relieving design for mounting side by side. The pressure setting can be locked by pushing the knob down.

By assembling two or more controllers together, it is possible to supply several working air circuits with different output pressures via a single supply line.

Instruções de encomenda

Pressure regulators are also available in lockable version. Please ask for more information.

Artigo

Descrição	Rosca	Faixa de regulagem	Fluxo (L/min)	A (mm)	B	C (mm)
K- 07 25 04 33	G 1/4	0.5 - 6 bar	1800	48,0	98,0 mm	26,0
K- 07 25 04 34	G 1/4	0.5 - 10 bar	1800	48,0	98,0 mm	26,0
K- 07 25 04 35	G 1/4	0.5 - 16 bar	1800	48,0	98,0 mm	26,0
K- 07 25 04 36	G 3/8	0.5 - 6 bar	1800	48,0	98,0 mm	26,0
K- 07 25 04 37	G 3/8	0.5 - 10 bar	1800	48,0	98,0 mm	26,0
K- 07 25 04 38	G 3/8	0.5 - 16 bar	1800	48,0	98,0 mm	26,0

Acessório para

K-VERSCHLEI-SATZ VARIOBLOC Set of wearing parts