

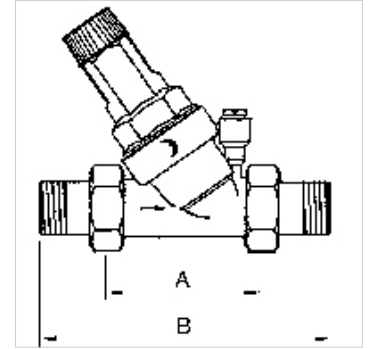
K-DRG SAXONIA M MANO

Pressure regulators

HANSA FLEX

Características

Pressão de entrada	Max. 16 bar
Fluidos	Drinking water
Temperatura operacional	Max. 30 °C
Material de vedação	NBR
Tampa da mola	Plastic
Carcaça	Brass
Recipiente do crivo	Plastic, with control dial for back pressure
Outras indicações	DVGW Zertifikat



Nota

Outras indicações a pedido.

Descrição

Diaphragm pressure regulators with pressure-reduced single-seated valve and built-in strainer. These pressure regulators, which are independent of inlet pressure, protect domestic water installations against excessive supply pressure. They can also be used for commercial or industrial purposes providing their specification is adequate.

Artigo

Descrição	Rosca	DN	Faixa de regulagem	Fluxo Valor kvs (m ³ /h)	A (mm)	B
K- 07 25 04 72	R 3/4	20	1.5 - 6 bar	3,4	90,0	158,0 mm
K- 07 25 04 73	R 1	25	1.5 - 6 bar	5,3	100,0	184,0 mm
K- 07 25 04 74	R 1 1/4	32	1.5 - 6 bar	8,6	130,0	228,0 mm

Acessório para

K-VENTILAUSTAUSCHSATZ	Valve replacement kit
K-ERSATZSIEBE	Replacement strainer
K-RMM U STAHL	Standard pressure gauges (sheet steel housing / connection radial on bottom)