

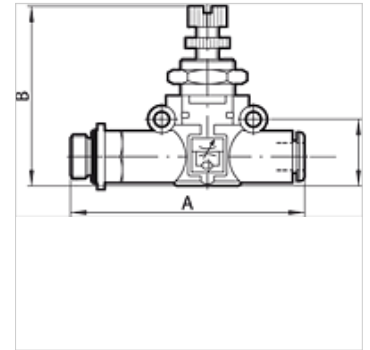
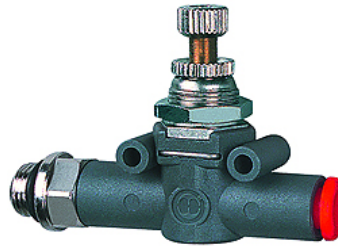
K-DUFR E GEW SCHL

Flow regulators, flow at one end (cylinder assembly), thread - pipe

HANSA FLEX

Características

Pressão operacional	máx. 10 bar
Fluxo 6,3bar	155 l/min (Ø 4), 450 l/min (Ø 6), 850 l/min (Ø 8)
Fluxo Purga 6,3bar	160 l/min (Ø 4), 550 l/min (Ø 6), 950 l/min (Ø 8)
Ajuste	Manual or screwdriver
Faixa de temperatura	-20 °C to +60 °C
Corpo	Technopolymer
Peças interiores	nickel-plated brass, brass, technopolymer, stainless steel
Material de vedação	NBR
Montagem	Wall mounting (housing with drilled holes) Bracket mounting (mounting bracket available) Panel mounting (with bracket or lock nut)
Símbolo	on the housing



Nota

Outras indicações a pedido.

Descrição

A carefully selected assortment of products for installation in pneumatic circuits. These small, highly efficient components allow all pneumatic functions to be implemented anywhere in the circuit. The series has an ultramodular design. All components can be installed in parallel, in series, in a mixed parallel / serial configuration. Available as Pipe / pipe connection with two plug connectors Thread / pipe connection, with one plug connector and one nickel-plated brass thread.

Artigo

Descrição	Rosca	para Ø da mangueira (mm)	A (mm)	B (mm)	l (mm)
K- 07 15 05 85	M 5	4	47,7	35,0	12,7
K- 07 15 05 88	G 1/8	4	51,6	35,0	12,7
K- 07 15 05 89	G 1/8	6	58,5	40,0	14,6
K- 07 15 05 90	G 1/8	8	61,5	40,0	14,6
K- 07 15 05 86	G 1/4	6	66,2	49,0	18,7
K- 07 15 05 87	G 1/4	8	70,6	49,0	18,7
K- 07 15 05 91	G 3/8	8	72,2	49,0	18,7