

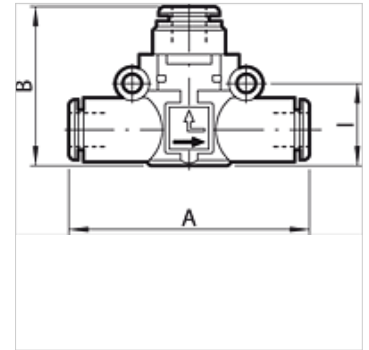
K-SNV ENTLUE V SCHL SCHL

Quick-exhaust valves, conveyed exhaust, pipe - pipe

HANSA FLEX

Características

Pressão operacional	1 - 10 bar
Fluxo 6,3bar	50 NI/min (Ø 4), 270 NI/min (Ø 6), 400 NI/min (Ø 8)
Fluxo Purga 6,3bar	100 NI/min (Ø 4), 700 NI/min (Ø 6), 1000 NI/min (Ø 8)
Faixa de temperatura	-20 °C to +60 °C
Corpo	Technopolymer
Peças interiores	nickel-plated brass, brass, Intechnopolymer, stainless steel
Material de vedação	NBR
Montagem	Wall mounting (housing with drilled holes) Bracket mounting (mounting bracket available) Panel mounting (with bracket or lock nut)
Símbolo	on the housing



Nota

Outras indicações a pedido.

Descrição

A carefully selected assortment of products for installation in pneumatic circuits. These small, highly efficient components allow all pneumatic functions to be implemented anywhere in the circuit. The series has an ultramodular design.
All components can be installed in parallel, in series, in a mixed parallel / serial configuration. Available as Pipe / pipe connection with two plug connectors Thread / pipe connection, with one plug connector and one nickel-plated brass thread.

Artigo

Descrição	para Ø da mangueira (mm)	A (mm)	B (mm)	l (mm)
K- 07 15 25 27	4	41,8	25,8	12,8
K- 07 15 20 30	6	49,0	30,2	14,6
K- 07 15 20 31	8	57,2	35,9	18,7