

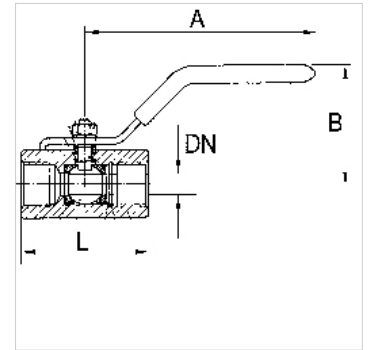
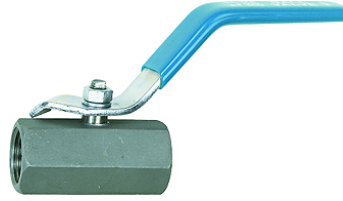
K-BKR KL SERIE 374

Ball valves, 374 series

HANSA FLEX

Características

Pressão operacional	max. 70 bar (Depending on Temperature)
Temperatura operacional	Max. 150 °C
Vedação	PTFE
Manivela	Stainless steel 1.4301



Nota

G thread acc. to DIN EN ISO 228-1, with ISO flange plate (acc. to ISO 5211)
Outras indicações a pedido.

Instruções de encomenda

For use on devices that have to be vented whenever they are turned off, either because of safety regulations or for technical reasons. The pneumatic devices are disconnected from the system and simultaneously vented each time they are shut off.

Informações adicionais

G thread acc. DIN EN ISO 228-1

Artigo

Descrição	DN	Rosca	A (mm)	B (mm)	L (mm)	Material
K- 07 30 15 32	5	G 1/4	62,0	30,0	47,0	Stainless steel 1.4401/1.4408
K- 07 30 15 33	7	G 3/8	82,0	30,0	51,0	Stainless steel 1.4401/1.4408
K- 07 30 15 34	9	G 1/2	92,0	45,0	64,0	Stainless steel 1.4401/1.4408
K- 07 30 15 35	13	G 3/4	94,0	50,0	68,0	Stainless steel 1.4401/1.4408