

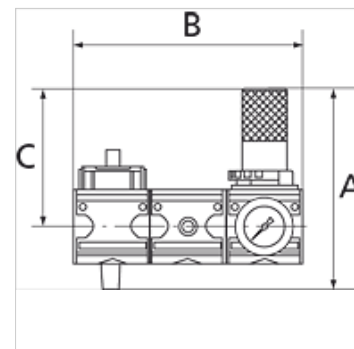
# K-WTST SAFETY BKR SCHA AN DR MULTI

SAFETY service unit sets, comprising a ball valve with silencer, start-up valve and pressure regulator with lock cylinder

**HANSA FLEX**

## Características

Pressão de entrada	2 - 16 bar
Pressão de saída	0.5 - 10 bar
Faixa de temperatura	Max. 60 °C
Fluidos	Ar comprimido
Material de vedação	NBR
Reservatório	Polycarbonate (with bayonet lock) and bowl guard
Tampa da mola	POM
Elemento filtrante	Cellpor (PE) 5 µm
Carcaça	Die-cast zinc
Membrana	NBR
Drain valve	Semi-automatic
Medição do valor de fluxo	At P1 = 8 bar, P2 = 6 bar and pressure drop $\Delta p = 1$ bar
Outras indicações	see data sheets of the individual components (on request)
Conexão Purga Válvula de esferas	Silencer



## Descrição

These compressed air service unit sets, comprising a ball valve with silencer, a start-up valve and one out of a pressure regulator, filter regulator or service unit, meet even the strictest requirements for operating reliability and accident prevention!

## Instruções de encomenda

The price does not include a padlock. Please order separately. For accessories and spare parts, refer to individual components: ball valve, start-up valve, pressure regulator, filter regulator, 2-piece service unit.

## Artigo

Descrição	Rosca	Faixa de regulagem	Fluxo (L/min)	A (mm)	B	C (mm)
K- 07 25 15 11	G 1/4	2 - 10 bar	1000	128,0	137,8 mm	94,0
K- 07 25 15 12	G 1/2	2 - 10 bar	4000	189,0	200,8 mm	122,0
K- 07 25 15 13	G 1	2 - 10 bar	12000	241,7	282,8 mm	157,0