

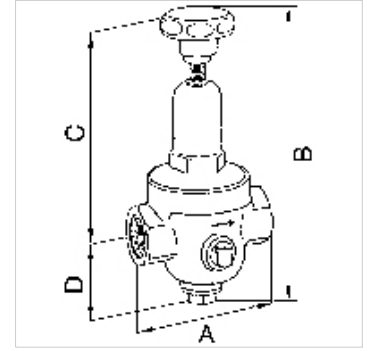
K-DRG DRV 225 HOCHDRUCK

DRV 225 pressure regulators, high-pressure type

HANSA FLEX

Características

Pressão de entrada	Max. 25 bar (Series 200 and 300 Series), Max. 40 bar (400 Series)
Faixa de temperatura	Max. 75 °C
Proporção de redução	Max. 10:1 (200 Series), Max. 20:1 (300 Series), Max. 6:1 (400 Series)
Material de vedação	NBR
Tampa da mola	Pressed brass up to DN 25, Grey cast iron from DN 32
Carcaça	Red brass 2.1096.01



Nota

Outras indicações a pedido.

Descrição

Diaphragm pressure regulators with non-self-relieving design and non-pressure-reduced single-seated valve. Very precise adjustment. Good response characteristic because of only a few moving parts which hence minimal friction. Ideal for compressed air, nitrogen and other neutral, non-flammable gases, but only suitable for liquids with comparatively low flow rates.

Instruções de encomenda

Outros modelos sob consulta

Informações adicionais

Outros modelos disponíveis mediante pedido

Artigo

Descrição	Rosca	Faixa de regulação	Fluxo Valor kvs (m ³ /h)	A (mm)	B	C (mm)	D (mm)
K- 07 25 04 97	G 1/4	1.5 - 20 bar	0,5	70,0	188,0 mm	141,0	47,0
K- 07 25 04 98	G 3/8	1.5 - 20 bar	0,6	70,0	188,0 mm	141,0	47,0
K- 07 25 04 99	G 1/2	1.5 - 20 bar	1,2	85,0	228,5 mm	182,0	46,5
K- 07 25 05 00	G 3/4	1.5 - 20 bar	1,3	85,0	228,5 mm	182,0	46,5
K- 07 25 05 01	G 1	1.5 - 20 bar	1,6	95,0	257,0 mm	201,0	56,0
K- 07 25 05 02	G 1 1/4	1.5 - 20 bar	4,2	104,0	385,0 mm	324,0	61,0
K- 07 25 05 03	G 1 1/2	1.5 - 20 bar	4,5	108,0	392,0 mm	331,0	61,0
K- 07 25 05 04	G 2	1.5 - 20 bar	7,2	146,5	419,0 mm	349,0	70,0

Acessório para

K-VERSCHLEI-SATZ Set of wearing parts