

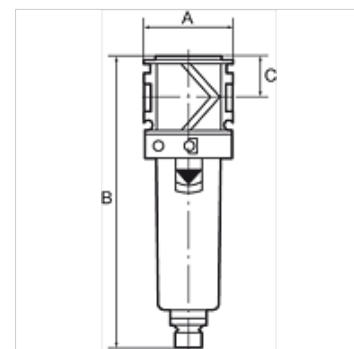
K-FI PC-BEHAELTER SCHUTZ VARIOBLOC

Filters with polycarbonate bowl and bowl guard

HANSA FLEX

Características

Pressão de entrada	Max. 16 bar (polycarbonate bowl), Max. 20 bar (metal bowl)
Temperatura do fluido	max. 50 °C
Temperatura ambiente	Max. 50 °C (polycarbonate bowl), Max. 80 °C (metal bowl)
Dimensão dos poros no elemento filtrante	40 µm
Material de vedação	NBR
Carcaça	Die-cast zinc
Drain valve	Manual
Medição do valor de fluxo	At P1 = 6 bar and pressure drop $\Delta p =$ 1 bar



Nota

Outras indicações a pedido.

Descrição

Centrifugal separators with a sintered filter element. Filtration takes place in a 2-stage process comprising cyclone separation (condensate) and a PE filter element (particles). Approved series in modern industrial design, with the following key benefits: Simple handling, Convenient modular assembly thanks to innovative fasteners, Excellent flow values.

Instruções de encomenda

Filters are also available with bowl guard or metal bowl.

Artigo

Descrição	Rosca	Fluxo (L/min)	A (mm)	B	C (mm)
K- 07 25 23 06	G 1/4	1800	48,0	155,0 mm	22,0
K- 07 25 23 05	G 3/8	2000	48,0	155,0 mm	22,0
K- 07 25 23 04	G 1/2	3200	70,0	202,0 mm	26,0
K- 07 25 23 03	G 3/4	3500	70,0	202,0 mm	26,0
K- 07 25 23 02	G 1	3500	124,0	202,0 mm	26,0