

K-SCHALLDAE FEDEREINSTELLUNG

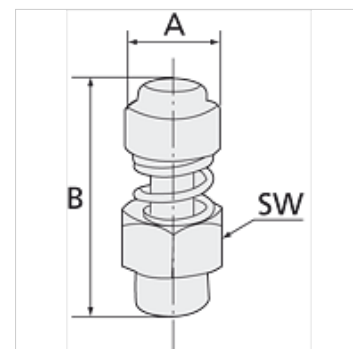
Adjustable spring silencers

HANSA FLEX

Características

Pressão operacional máx. 12 bar

Temperatura operacional -10 °C to +80 °C



Nota

Outras indicações a pedido.

Artigo

Descrição	Rosca	A (mm)	B máx. (mm)	B mín. (mm)	SW
K- 07 40 34 64	G 1/8	12,0	28,0	26,0	13 mm
K- 07 40 34 65	G 1/4	14,0	32,0	30,0	15 mm
K- 07 40 34 66	G 3/8	17,0	38,0	36,0	22 mm
K- 07 40 34 67	G 1/2	17,0	39,0	37,0	22 mm
K- 07 40 34 68	G 3/4	32,0	50,0	46,0	30 mm
K- 07 40 34 69	G 1	32,0	50,0	47,0	36 mm