

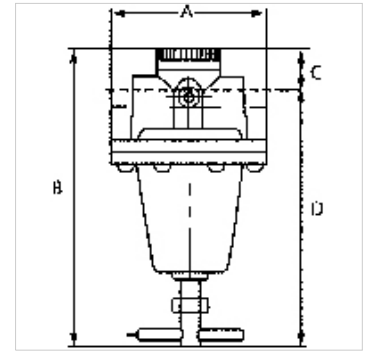
K-HOCHDRUCKREGLER 60 BAR

High-pressure regulators up to 60 bar

HANSA FLEX

Características

Aplicação	Compressed air and other neutral, non-flammable gases
Pressão de entrada	Max. 60 bar
Temperatura operacional	-10 °C to +90 °C
Material de vedação	NBR
Material	Latão
Medição do valor de fluxo	At P1 = 20 bar, P2 = 10 bar and pressure drop $\Delta p = 4$ bar



Nota

Outras indicações a pedido.

Descrição

Reversible piston-type pressure regulator, virtually independent of inlet pressure, with self-relieving design, manufactured entirely in brass. Specially designed for high pressures up to 60 bar. Pressure catch with counter nut.

Artigo

Descrição	Rosca	Faixa de regulagem	Fluxo (L/min)	A (mm)	B	C (mm)	D (mm)
K- 07 25 08 19	G 3/8	0.5 - 12 bar	1400	72,0	164,0 mm	31,0	133,0
K- 07 25 08 20	G 3/8	1 - 20 bar	1400	72,0	164,0 mm	31,0	133,0
K- 07 25 08 21	G 3/8	2 - 35 bar	1400	72,0	164,0 mm	31,0	133,0
K- 07 25 08 22	G 3/8	2 - 50 bar	1400	72,0	164,0 mm	31,0	133,0
K- 07 25 08 23	G 1	0.5 - 12 bar	5000	118,0	257,0 mm	51,0	206,0
K- 07 25 08 24	G 1	1 - 20 bar	5000	118,0	257,0 mm	51,0	206,0
K- 07 25 08 25	G 1	2 - 35 bar	5000	118,0	257,0 mm	51,0	206,0
K- 07 25 08 26	G 1	3 - 50 bar	5000	118,0	257,0 mm	51,0	206,0

Acessórios

K-HALTERBAUSATZ	Holder
K-SCHALTTAFELBEFESTIGUNG	Switchboard attachment

Acessório para

K-DICHTKEGEL KOMPL	Cone seal complete
--------------------	--------------------