

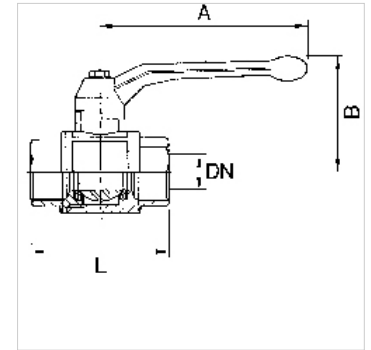
K-BKR SCHW STAHLHEBEL IG AG

Ball valves with black steel lever, lightweight type, female/male thread

HANSA FLEX

Características

Campo de aplicação	Ar comprimido, Água, Gases atóxicos e não agressivos, Equipamentos de calefação, Agrícola
Pressão operacional	Max. 40 bar
Temperatura operacional	-15 °C to +90 °C
Rosca Descrição	G thread acc. DIN EN ISO 228-1
Carcaça	Nickel-plated brass
Alavanca	Steel, with plastic coating
Esfera	Chrome-plated brass
Vedação da esfera	PTFE
Vedação do fuso	HNBR / EPDM / PTFE. 2 O-Rings (HNBR / EPDM) 1 gasket (PTFE) additional PTFE-gasket



Nota

Outras indicações a pedido.

Artigo

Descrição	DN	Rosca	A (mm)	B (mm)	L (mm)
K- 07 30 00 51	8	G 1/4	85,0	42,0	44,0
K- 07 30 00 55	10	G 3/8	85,0	42,0	51,0
K- 07 30 00 59	15	G 1/2	85,0	46,0	60,0
K- 07 30 00 63	20	G 3/4	105,0	53,0	70,0
K- 07 30 00 67	25	G 1	105,0	57,0	79,0
K- 07 30 00 71	32	G 1 1/4	130,0	70,0	91,0
K- 07 30 00 75	40	G 1 1/2	130,0	76,0	104,0
K- 07 30 00 79	50	G 2	165,0	92,0	122,0