

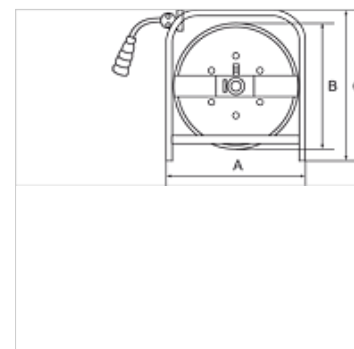
K-SCHL-AUFROLLER MOBIL

Hose reels for mobile applications

HANSA FLEX

Características

Material da mangueira	Polyurethane
Pressão operacional	máx. 10 bar
Temperatura operacional	-10 °C to +40 °C
Entrada	Hose stem 8 mm
Rosca de conexão	Coupling G 3/8



Nota

Outras indicações a pedido.

Descrição

Specially designed for mobile applications. This 50 m long polyurethane hose is mounted in a portable four-wheel cart made from blue anodised steel. An automatic latching mechanism allows the hose to be engaged at any length. Enclosed spring. Precise locking device for continuous feeding or latching mechanism. Reel guide prevents excessive wear on the hose.

Artigo

Descrição	Dimensão da mangueira	A (mm)	B (mm)	C (mm)	Comprimento da mangueira (m)
K- 07 10 06 16	12 mm x 8 mm	452,0	400,0	460,0	50