

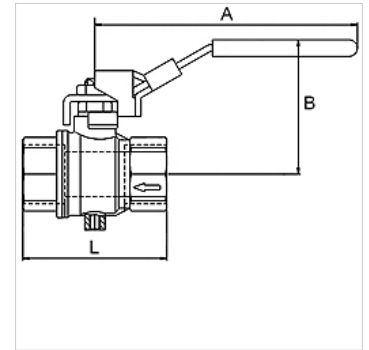
K-S-BKR M ENTL-BOHR ABSCHL

Safety ball valves, lockable, with relief port

HANSA FLEX

Características

Temperatura operacional	-10 °C to + 100 °C (depending on operating pressure)
Orifício de purga	M 5 (>1": Relief port G 1/4")
Rosca Descrição	Rp thread acc. to EN 10226
Carcaça	Nickel-plated brass
Manivela	Steel - PVC coated
Esfera	hardchrome-plated brass
Vedação da esfera	PTFE
Vedação do fuso	PTFE



Nota

G thread acc. to DIN EN ISO 228-1, with ISO flange plate (acc. to ISO 5211)
Outras indicações a pedido.

Descrição

2/2-way safety ball valves, two parts, made of nickel-plated brass. Specially designed for pneumatic applications. The valve shuts off the supply line and bleeds the application area. Lockable hand lever in closed position.

Informações adicionais

The price does not include a padlock. Please order separately.

Artigo

Descrição	DN	Rosca	PN (bar)	A (mm)	B (mm)	L (mm)
K- 07 30 29 29	8	Rp 1/4	14	96,0	49,0	45,0
K- 07 30 29 30	10	Rp 3/8	14	96,0	49,0	45,0
K- 07 30 29 31	15	Rp 1/2	14	96,0	51,0	59,0
K- 07 30 29 32	20	Rp 3/4	14	117,0	60,0	64,0
K- 07 30 29 33	25	Rp 1	14	117,0	64,0	81,0
K- 07 30 29 34	32	Rp 1 1/4	14	157,0	80,0	93,0
K- 07 30 29 35	40	Rp 1 1/2	14	157,0	86,0	102,0
K- 07 30 29 36	50	Rp 2	14	157,0	93,0	121,0

Acessórios

K-VORHAENGESCHLOSS Padlock