

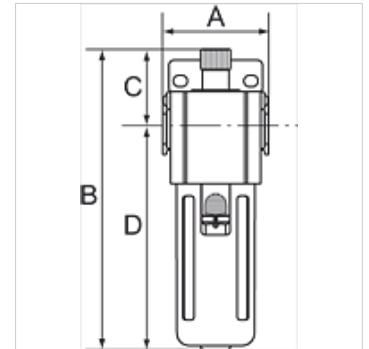
# K-NEBELOELER PC-BEHÄLTER HW G

Oil-mist lubricators with polycarbonate bowl, bowl guard and »HW« mounting bracket

**HANSA FLEX**

## Características

Pressão de entrada	Max. 10 bar
Temperatura do fluido	max. 70 °C
Temperatura ambiente	Max. 70 °C
Pressão de trabalho	0.5 - 9 bar
Material de vedação	NBR
Tampa da mola	POM
Carcaça	Die-cast aluminium
Acessório para gotejamento	Brass/POM
Medição do valor de fluxo	At P1 = 8 bar, P2 = 6 bar and pressure drop $\Delta p = 1$ bar
Outras indicações	User manual on request



## Artigo

Descrição	Rosca	Fluxo (L/min)	A (mm)	B	C (mm)	D (mm)	Tamanho
K- 07 25 08 68	G 1/4	2200	51,0	169,0 mm	44,0	125,0	300
K- 07 25 08 69	G 3/8	2650	51,0	169,0 mm	44,0	125,0	300
K- 07 25 08 70	G 1/2	2650	51,0	169,0 mm	44,0	125,0	300
K- 07 25 08 71	G 3/8	7500	68,0	190,0 mm	48,0	142,0	400
K- 07 25 08 72	G 1/2	7500	68,0	190,0 mm	48,0	142,0	400

## Acessórios

K-ERSATZBEHÄLTER G UND G-MINI POLY	Spare tanks »G« Series and »G-mini« Series Polycarbonat
K-HALTERBAUSATZ	Holder
K-VERBINDUNGSELEMENTE	Connecting sets
K-WANDHALTER	Wall bracket