

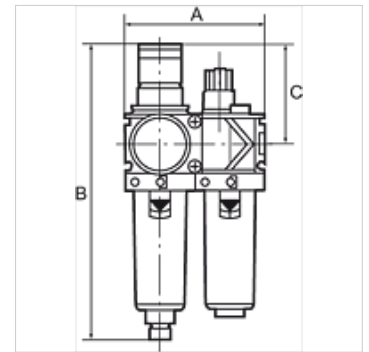
K-WTEH 2-TLG PC SCHU VARIOBLOC

Service units, 2-piece with polycarbonate bowl and bowl guard

HANSA FLEX

Características

| | |
|---|--|
| Pressão de entrada | Max. 16 bar (polycarbonate bowl), Max. 20 bar (metal bowl) |
| Temperatura do fluido | max. 50 °C |
| Temperatura ambiente | Max. 50 °C (polycarbonate bowl), Max. 80 °C (metal bowl) |
| Dimensão dos poros no elemento filtrante | 40 µm |
| Material de vedação | NBR |
| Tampa da mola | POM |
| Carcaça | Die-cast zinc |
| Membrana | NBR |
| Acessório para gotejamento | PA |
| Drain valve | Manual |
| Medição do valor de fluxo | At P1 = 10 bar, P2 = 6 bar and pressure drop $\Delta p = 1$ bar |



Nota

Outras indicações a pedido.

Descrição

Two or three-piece service units consisting of a reversible diaphragm pressure regulator, independent of inlet pressure, with self-relieving design, combined with a centrifugal separator and a proportional lubricator. Approved series in modern industrial design, with the following key benefits: Simple handling, Convenient modular assembly thanks to innovative fasteners, Excellent flow values.

Instruções de encomenda

Service units are also available with bowl guard or metal bowl. Service units are also available in other control ranges (0.5 - 6 bar and 0.5 - 16 bar) and in lockable version. Please ask for more information.

Informações adicionais

Service units are also available with bowl guard or metal bowl. Service units are also available in other control ranges.

Artigo

| Descrição | Rosca | Faixa de regulação | Fluxo (L/min) | A (mm) | B | C (mm) |
|-----------------------|-------|--------------------|------------------|-----------|----------|-----------|
| K- 07 25 22 81 | G 1/4 | 0.5 - 10 bar | 1500 | 96,0 | 203,0 mm | 68,0 |
| K- 07 25 22 80 | G 3/8 | 0.5 - 10 bar | 1800 | 96,0 | 203,0 mm | 68,0 |
| K- 07 25 22 79 | G 1/2 | 0.5 - 10 bar | 3400 | 140,0 | 273,0 mm | 98,0 |
| K- 07 25 22 78 | G 3/4 | 0.5 - 10 bar | 5000 | 140,0 | 273,0 mm | 98,0 |
| K- 07 25 22 77 | G 1 | 0.5 - 10 bar | 5000 | 194,0 | 273,0 mm | 98,0 |