

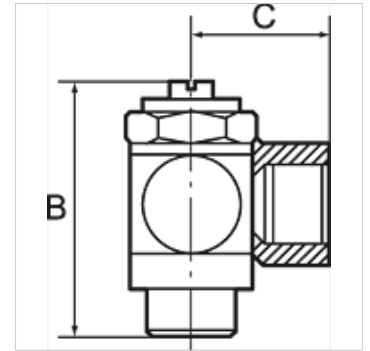
# K-DV GEW B SCHLITZ

Bidirectional flow control valves, air restriction at both ends (»B«), screw connection

**HANSA FLEX**

## Características

Pressão operacional	máx. 10 bar
Faixa de temperatura	0 °C to +70 °C
Parafuso oco, braço giratório, parafuso de regulagem	Nickel-plated brass
Peças interiores	Brass with a bare metal surface
Vedação dos lábios O-Ring	NBR
Vedações (imperdíveis)	Polyamide (glass fibre-reinforced)



## Nota

Outras indicações a pedido.

## Descrição

For regulation of a cylinder piston speed at both ends and control of flow rates. Designed as a banjo-type valve with a hollow bolt and ring piece for mounting directly. Compact type of construction, also ideal where space is restricted.

## Artigo

Descrição	Conexão	C (mm)	Rosca	SW	B (mm)
K- 07 15 05 53	M 5 female thread	11,5	M 5	8 mm	24,5
K- 07 15 05 58	G 1/8 female thread	16,0	G 1/8	14 mm	32,0
K- 07 15 05 54	G 1/4 female thread	22,0	G 1/4	17 mm	40,0
K- 07 15 25 26	G 3/8 female thread	26,0	G 3/8	20 mm	50,0
K- 07 15 25 25	G 1/2 female thread	32,0	G 1/2	26 mm	61,0