

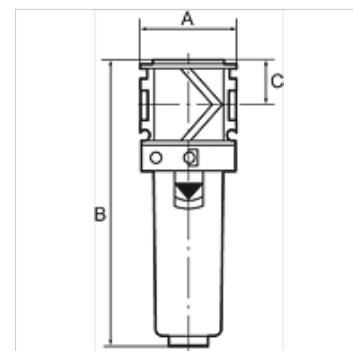
K-FI AK KOH PC-BEHAEL SI VARIOBLOC

Activated carbon filters with polycarbonate bowl and bowl guard

HANSA FLEX

Características

Pressão de entrada	Max. 16 bar (polycarbonate bowl), Max. 20 bar (metal bowl)
Temperatura do fluido	max. 50 °C
Temperatura ambiente	Max. 50 °C (polycarbonate bowl), Max. 80 °C (metal bowl)
Qualidade do ar ISO 85731	Class 1 dirt, class 1 oil
Teor de óleo residual	0,003 mg/m ³
Medição do valor de fluxo	At P1 = 7 bar and pressure drop $\Delta p = 0,1$ bar



Nota

Activated carbon filters are also supplied with protective cage or metal container.
Outras indicações a pedido.

Descrição

The activated carbon filter absorbs oil vapour from the compressed air. The entering compressed air needs to be dry and free of contaminants (an upstream microfilter is strongly recommended).

Artigo

Descrição	Rosca	Fluxo (L/min)	A (mm)	B	C (mm)
K- 07 25 23 12	G 1/4	800	48,0	142,0 mm	22,0
K- 07 25 23 13	G 3/8	1000	48,0	142,0 mm	22,0
K- 07 25 23 14	G 1/2	1200	70,0	193,0 mm	26,0
K- 07 25 23 15	G 3/4	1300	70,0	193,0 mm	26,0
K- 07 25 23 16	G 1	1300	124,0	193,0 mm	26,0