

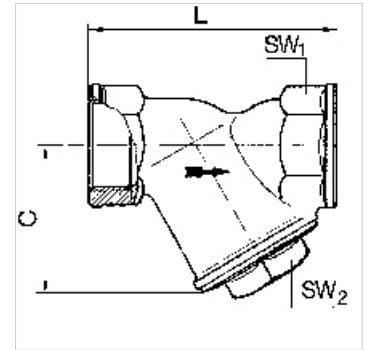
K-SCHMUTZFAENGER MS BL

Strainers - brass

HANSA FLEX

Características

Pressão operacional	máx. 20 bar
Temperatura operacional	-20 °C to +110 °C
Rosca Descrição	G-thread acc. ISO 228-1, tolerance class B
Encaixe para crivo	Stainless steel, mesh size 0.5 mm
Carcaça	Brass with a bare metal surface
Peça superior	Brass with a bare metal surface
Vedações	NBR O-ring



Nota

Outras indicações a pedido.

Descrição

Suitable for domestic water services, heating and air conditioning plants or compressed air systems. Not suitable for steam.

Artigo

Descrição	DN	Rosca	C (mm)	L (mm)	SW1 (mm)	SW2 (mm)
K- 07 30 29 93	8	G 1/4	40,0	55,0	18	20
K- 07 30 29 94	10	G 3/8	40,0	55,0	21	20
K- 07 30 29 95	15	G 1/2	40,0	58,0	25	20
K- 07 30 29 96	20	G 3/4	48,0	70,0	31	27
K- 07 30 29 97	25	G 1	56,0	87,0	38	32
K- 07 30 29 98	32	G 1 1/4	64,0	96,0	47	36
K- 07 30 29 99	40	G 1 1/2	73,0	106,0	57	38
K- 07 30 30 00	50	G 2	89,0	126,0	67	46