

K-2-BK V DURCHG 20-63 INFI

2/2-way ball valve Ø 20 mm - Ø 63 mm full bore

HANSA FLEX

Características

Fluidos Compressed air, vacuum, inert gases

Pressão operacional -0,99 bar - 15 bar

Faixa de temperatura -20 °C to +80 °C

Vedação NBR

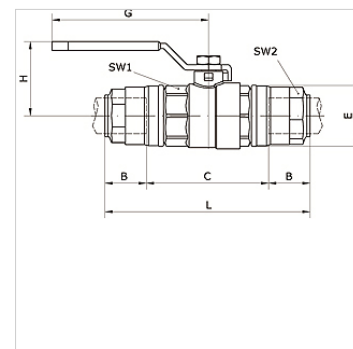
Carcaça Nickel-plated brass

Anel de aperto Stainless steel 1.4301

Porca Nickel-plated brass

O-Ring NBR

Anel de fixação Technopolymer



Artigo

| Descrição | Ø externo do tubo | B (mm) | C (mm) | DN | E (mm) | G (mm) | H (mm) | L (mm) | SW1 (mm) | SW2 (mm) |
|----------------|-------------------|-----------|-----------|----|-----------|-----------|-----------|-----------|-------------|-------------|
| K- 07 40 54 36 | 20 mm | 31,5 | 58,5 | 17 | 34,5 | 88 | 42,0 | 121,5 | 32 | 30 |
| K- 07 40 54 37 | 25 mm | 38,5 | 61,5 | 22 | 42,5 | 106 | 47,5 | 138,5 | 41 | 35 |
| K- 07 40 54 38 | 32 mm | 46,0 | 75,0 | 29 | 52,0 | 106 | 53,0 | 167,0 | 50 | 45 |
| K- 07 40 54 39 | 40 mm | 52,5 | 81,0 | 37 | 63,0 | 134 | 65,0 | 186,0 | 59 | 55 |
| K- 07 40 54 40 | 50 mm | 63,5 | 103,0 | 46 | 73,0 | 134 | 72,5 | 230,0 | 69 | 65 |