

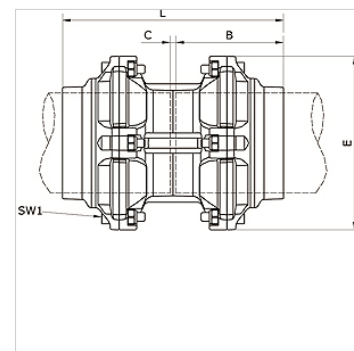
K-G-STECK VB 80-100 INFI

Straight push-in connector Ø 80 mm/Ø 110 mm

HANSA FLEX

Características

Fluidos	Compressed air, vacuum, inert gases
Pressão operacional	-0,99 bar - 15 bar
Faixa de temperatura	-20 °C to +80 °C
Anel guia	Technopolymer
Carcaça	Aluminium, treated surface
Parafuso de sextavado interno	Galvanised steel
Anel de aperto	Stainless steel 1.4301
Porca	Aluminium, surface treated
O-Ring	NBR
Porca autotravante	Galvanised steel
Anel de fixação	Technopolymer



Artigo

Descrição	Ø externo do tubo	B (mm)	C (mm)	E (mm)	L (mm)	SW1 (mm)
K- 07 40 55 14	80 - 80 mm	91,0	3,5	145,0	186,0	6
K- 07 40 54 65	110 - 110 mm	125,5	4,0	200,0	255,0	8