

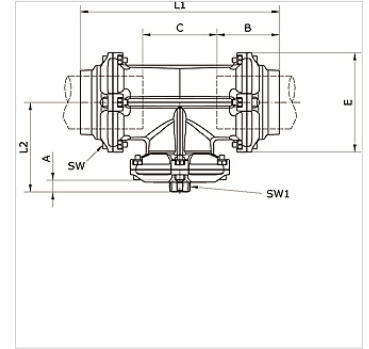
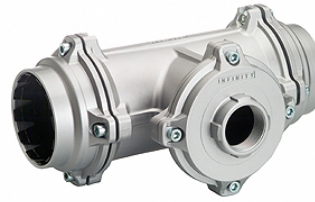
K-T-STECK VB 80-100 RED ABG INFI

T-push-in connector Ø 80 mm/Ø 110 mm with reduced outlet and female thread

HANSA FLEX

Características

Fluidos	Compressed air, vacuum, inert gases
Pressão operacional	-0,99 bar - 15 bar
Faixa de temperatura	-20 °C to +80 °C
Anel guia	Technopolymer
Carcaça	Aluminium, treated surface
Parafuso de sextavado interno	Galvanised steel
Anel de aperto	Stainless steel 1.4301
Porca	Aluminium, surface treated
O-Ring	NBR
Porca autotravante	Galvanised steel
Anel de fixação	Technopolymer



Artigo

Descrição	Ø externo do tubo	Conexão	A (mm)	B (mm)	C (mm)	E (mm)	L1 (mm)	L2 (mm)	SW (mm)	SW1 (mm)
K- 07 40 55 21	80 - 80 mm	G 3/4	14,5	91,0	109,0	145,0	291,5	138,0	6	42
K- 07 40 54 68	110 - 110 mm	G 3/4	14,5	125,5	150,5	200,0	401,0	180,0	8	42