

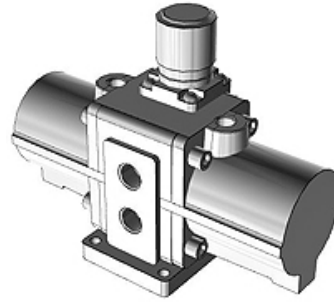
K-DRUCKVERST MANO H SCHALLD VBA

Booster Regulator, pressure gauge, high-noise reduction silencer, VBA

HANSA FLEX

Características

| | |
|---|---|
| Modelo | with pressure gauge and with high performance muffler |
| Pressão de serviço mín | 0.20 MPa |
| Conexão manômetro pneumático | Rc 1/8 |
| Número de conexão de manômetros pneumáticos | 2 |
| Pressão de entrada máx. | 0,1 to 1,0 MPa |
| Temperatura do fluido | +2 °C to +50 °C |
| Temperatura ambiente | +2 °C bis +50 °C |
| Fluidos | Ar comprimido |



Descrição

Booster regulator, series VBA, increases pressure only where the force is inadequate because of a low network pressure (energy saving measure), no electricity supply necessary, longer service life: doubled compared to conventional model, lower operating noise level: 13 dB (A), improved operational reliability from inbuilt mesh filter on (IN connection) compressed air inlet, reduced condensation levels: air exhaust channels integrated directly into the cylinder tube, suitable for: compressed air, size 1/4, with pressure gauge and silencer, elbow, pneumatic connection: G 1/4, pneumatic connection pressure gauge: G 1/8, pneumatic connections pressure gauge: 2, flow rate 230 l/min, pressure boost 1:2, manually actuated pressure adjustment mechanism, test pressure: 3 MPa, max. operating pressure: 2 MPa, min. operating pressure: 0.2 MPa, media temperature: +2 to +50 °C, ambient temperature: +2 to +50 °C

Artigo

| Descrição | Conexão pneumática | Tamanho | Mecanismo de ajuste de pressão | Proporção de amplificação da pressão | Fluxo (L/min) | pressão operacional máx. (MPa) |
|----------------|--------------------|---------|--------------------------------|--------------------------------------|---------------|--------------------------------|
| K- 07 60 00 11 | G 3/8 | 3/8 | manually operated | 1:2 | 1000 | 1,50 |