

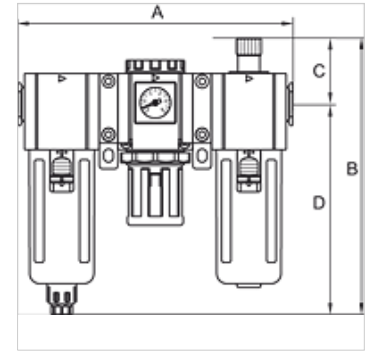
K-WTEH 3-TLG PC-BEHÄLTER S W H G

Service units, 3-piece with polycarbonate bowl, bowl guard and joiner for wall mounting, semi-automatic drain valve

HANSA FLEX

Características

| | |
|--|--|
| Pressão de entrada | Max. 10 bar |
| Temperatura do fluido | max. 70 °C |
| Temperatura ambiente | Max. 70 °C |
| Dimensão dos poros no elemento filtrante | 5 µm |
| Material de vedação | NBR |
| Tampa da mola | POM |
| Carcaça | Die-cast aluminium |
| Acessório para gotejamento | Brass/POM |
| Drain valve | Semi- or fully-automatic |
| Medição do valor de fluxo | At P1 = 8 bar, P2 = 6 bar and pressure drop $\Delta p = 1$ bar |
| Outras indicações | User manual on request |



Artigo

| Descrição | Rosca | Faixa de regulagem | Fluxo (L/min) | A (mm) | B | C (mm) | D (mm) | Tamanho |
|----------------|-------|--------------------|---------------|--------|----------|--------|--------|---------|
| K- 07 25 14 21 | G 1/4 | 1.5 - 9 bar | 1100 | 179,0 | 187,0 mm | 44,0 | 143,0 | 300 |
| K- 07 25 14 23 | G 3/8 | 1.5 - 9 bar | 1400 | 179,0 | 187,0 mm | 44,0 | 143,0 | 300 |
| K- 07 25 14 25 | G 1/2 | 1.5 - 9 bar | 1400 | 179,0 | 187,0 mm | 44,0 | 143,0 | 300 |
| K- 07 25 14 27 | G 3/8 | 1.5 - 9 bar | 2950 | 236,0 | 214,5 mm | 48,0 | 166,5 | 400 |
| K- 07 25 14 29 | G 1/2 | 1.5 - 9 bar | 2950 | 236,0 | 214,5 mm | 48,0 | 166,5 | 400 |

Acessórios

| | |
|------------------------------------|---|
| K-VERSCHLEI-SATZ | Set of wearing parts |
| K-ERSATZMEMBRANE | Replacement diaphragm |
| K-ADAPTERPLATTEN HANSA | Adapter plate HANSA |
| K-SCHUTZKORB G | Protective cage |
| K-FILTERELEMENT | Filter element |
| K-ERSATZBEHÄLTER G UND G-MINI POLY | Spare tanks »G« Series and »G-mini« Series Polycarbonat |
| K-VERBINDUNGSELEMENTE | Connecting sets |
| K-WANDHALTER | Wall bracket |