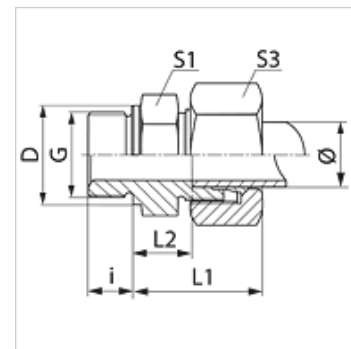


VM VA

Racord filetat tip tată

Caracteristici

Racord 1	Filet metric exterior cilindric
Formă de etanșare 1	Formă B
Racord 2	Filet metric exterior cilindric
Formă de etanșare 2	Con interior 24°
Tip constructiv	Racord filetat tip tată
Forma constructivă	drept
Standard	DIN 2353 ISO 8434-1
Set de livrare	Ștuț cu piuliță olandeză și inel de tăiere
Material	oțel inoxidabil



Indicație

Indicațiile privind montajul, asamblarea, încărcarea cu presiune și temperaturile de regim admisibile se găsesc în informațiile tehnice referitoare la îmbinările filetate pentru țevi.

Articol

Denumire	Seria	Presiune de lucru bar	Ø exterior țevă (mm)	G	D (mm)	i (mm)	L1 (mm)	L2 (mm)	S1	S3
VM NW 04 HL VA	L	PN 315	6	M 10 x 1	14	8,0	23,0	8,5	14	14
VM NW 04 HL 12 VA	L	PN 315	6	M 12 x 1,5	17	12,0	25,0	10,0	17	14
VM NW 04 HL 14 VA	L	PN 315	6	M 14 x 1,5	19	12,0	25,0	10,0	19	14
VM NW 06 HL VA	L	PN 315	8	M 12 x 1,5	17	12,0	25,0	10,0	17	17
VM NW 06 HL 10 VA	L	PN 315	8	M 10 x 1	17	8,0	25,0	10,0	17	17
VM NW 06 HL 14 VA	L	PN 315	8	M 14 x 1,5	19	12,0	25,0	10,0	19	17
VM NW 06 HL 16 VA	L	PN 315	8	M 16 x 1,5	21	12,0	26,0	11,5	22	17
VM NW 06 HL 18 VA	L	PN 315	8	M 18 x 1,5	23	12,0	26,0	11,5	24	17
VM NW 08 HL VA	L	PN 315	10	M 14 x 1,5	19	12,0	26,0	11,0	19	19
VM NW 08 HL 10 VA	L	PN 315	10	M 10 x 1	14	8,0	26,0	11,0	17	19
VM NW 08 HL 12 VA	L	PN 315	10	M 12 x 1,5	17	12,0	26,0	11,0	17	19
VM NW 08 HL 16 VA	L	PN 315	10	M 16 x 1,5	22	12,0	27,5	12,5	22	19
VM NW 08 HL 18 VA	L	PN 315	10	M 18 x 1,5	23	12,0	27,5	12,5	24	19
VM NW 08 HL 22 VA	L	PN 315	10	M 22 x 1,5	27	14,0	29,0	14,0	27	19
VM NW 10 HL VA	L	PN 315	12	M 16 x 1,5	21	12,0	27,0	12,5	22	22
VM NW 10 HL 12 VA	L	PN 315	12	M 12 x 1,5	17	12,0	26,0	11,0	19	22
VM NW 10 HL 14 VA	L	PN 315	12	M 14 x 1,5	19	12,0	27,0	12,5	22	22
VM NW 10 HL 18 VA	L	PN 315	12	M 18 x 1,5	23	12,0	27,0	12,5	24	22
VM NW 10 HL 22 VA	L	PN 315	12	M 22 x 1,5	27	14,0	28,5	14,0	27	22
VM NW 13 HL VA	L	PN 315	15	M 18 x 1,5	23	12,0	29,0	13,5	24	27
VM NW 13 HL 16 VA	L	PN 315	15	M 16 x 1,5	21	12,0	29,0	13,5	24	27
VM NW 13 HL 22 VA	L	PN 315	15	M 22 x 1,5	27	14,0	30,5	15,0	27	27
VM NW 16 HL VA	L	PN 315	18	M 22 x 1,5	27	14,0	31,0	14,5	27	32
VM NW 16 HL 18 VA	L	PN 315	18	M 18 x 1,5	23	12,0	30,5	14,0	27	32
VM NW 16 HL 26 VA	L	PN 315	18	M 26 x 1,5	31	16,0	31,0	14,5	32	32
VM NW 20 HL VA	L	PN 160	22	M 26 x 1,5	31	16,0	33,0	16,5	32	36
VM NW 25 HL VA	L	PN 160	28	M 33 x 2	39	18,0	34,0	17,5	41	41
VM NW 32 HL VA	L	PN 160	35	M 42 x 2	49	20,0	39,0	17,5	50	50
VM NW 40 HL VA	L	PN 160	42	M 48 x 2	55	22,0	42,0	19,0	55	60
VM NW 03 HS VA	S	PN 400	6	M 12 x 1,5	17	12,0	28,0	13,0	17	17
VM NW 03 HS 14 VA	S	PN 400	6	M 14 x 1,5	19	12,0	30,0	15,0	19	17
VM NW 03 HS 16 VA	S	PN 400	6	M 16 x 1,5	21	12,0	28,0	13,0	17	17
VM NW 04 HS VA	S	PN 400	8	M 14 x 1,5	19	12,0	30,0	15,0	19	19
VM NW 06 HS VA	S	PN 400	10	M 16 x 1,5	21	12,0	31,0	15,0	22	22
VM NW 08 HS VA	S	PN 400	12	M 18 x 1,5	23	12,0	33,0	17,0	24	24
VM NW 08 HS 14 VA	S	PN 400	12	M 14 x 1,5	21	12,0	33,0	17,0	19	24
VM NW 10 HS VA	S	PN 400	14	M 20 x 1,5	25	14,0	37,0	19,0	27	27
VM NW 13 HS VA	S	PN 400	16	M 22 x 1,5	27	14,0	37,0	18,5	27	30
VM NW 13 HS 18 VA	S	PN 400	16	M 18 x 1,5	23	12,0	37,0	18,5	27	30
VM NW 16 HS VA	S	PN 400	20	M 27 x 2	32	16,0	42,0	20,5	32	36
VM NW 20 HS VA	S	PN 250	25	M 33 x 2	39	18,0	47,0	23,0	41	46
VM NW 25 HS VA	S	PN 160	30	M 42 x 2	49	20,0	50,0	23,5	50	50
VM NW 32 HS VA	S	PN 160	38	M 48 x 2	55	22,0	57,0	26,0	55	60



Variante produs

VM	Racord filetat tip tată, Oțel
-----------	-------------------------------

VM MG	Racord filetat tip tată, Alama
--------------	--------------------------------

XVM VA	Racord filetat tip tată, oțel inoxidabil
---------------	--