

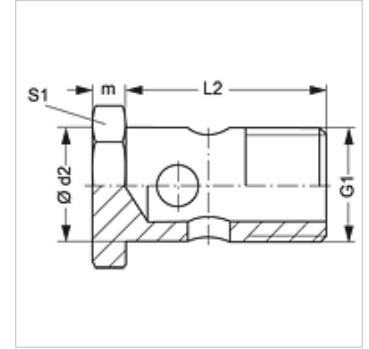
HS R VA

Şurub tubular

HANSA FLEX

Caracteristici

Racord 1	Filete cilindrice exterioare BSP
Tip constructiv	Şurub tubular
Material	oţel inoxidabil



Articol

Denumire	G1	Ø d2 (mm)	L2 (mm)	S1
HS R 1/8 VA	G 1/8" -28	9,9	19,0	14
HS R 3/8 VA	G 3/8" -19	16,6	28,0	22
HS R 1/2 VA	G 1/2" -14	20,9	39,0	27
HS R 3/4 VA	G 3/4" -14	26,4	47,0	32

SW , S1, S2 = deschiderea cheii

Variante produs

HS R Şurub tubular, Oţel