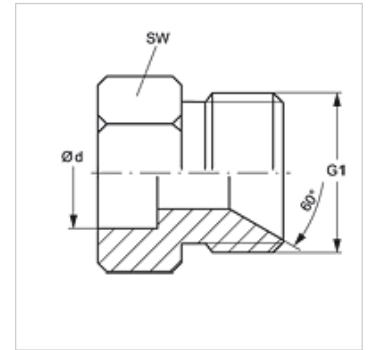


LOET HB

Ștuț alămit AGR

Caracteristici

Racord 1	Racord alămit
Racord 2	Filete cilindrice exterioare BSP
Formă de etanșare 2	Con interior 60°
Tip constructiv	Ștuț alămit
Forma constructivă	drept
Material	Oțel
Protecția suprafeței	uns



Articol

Denumire	Ø d (mm)	G1	L1 (mm)	SW (mm)
LOET 04 HB 08	8	G 1/4" -19	21,0	19
LOET 04 HB 12	12	G 1/4" -19	21,0	19
LOET 06 HB 14	14	G 3/8" -19	27,0	24
LOET 06 HB 16	16	G 3/8" -19	27,0	24
LOET 08 HB 14	14	G 1/2" -14	29,5	29
LOET 08 HB 16	16	G 1/2" -14	29,5	24
LOET 08 HB 18	18	G 1/2" -14	29,5	29
LOET 08 HB 20	20	G 1/2" -14	32,5	29
LOET 12 HB 20	20	G 3/4" -14	37,5	35
LOET 12 HB 25	25	G 3/4" -14	37,5	35
LOET 16 HB 25	25	G 1" -11	41,0	43
LOET 16 HB 30	30	G 1" -11	41,0	43

Ø d = Diametrul exterior al țevii