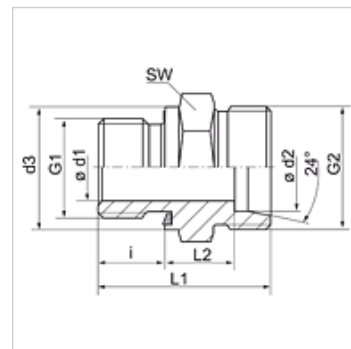


Caracteristici

Racord 1	Filete cilindrice exterioare BSP
Formă de etanșare 1	Formă E
Racord 2	Filet metric exterior cilindric
Formă de etanșare 2	Con interior 24°
Tip constructiv	Racord filetat tip tată
Forma constructivă	drept
Standard	DIN 2353 ISO 8434-1
Set de livrare	Ștuț (fără piuliță olandeză și inel de tăiere)
Material	Oțel
Protecția suprafeței	acoperire galvanică



Indicație

Indicațiile privind montajul, asamblarea, încărcarea cu presiune și temperaturile de regim admisibile se găsesc în informațiile tehnice referitoare la îmbinările filetate pentru țevi.

Articol

Denumire	Seria	Presiune de lucru bar	Ø d1 (mm)	Ø d2 (mm)	G1	G2	Ø d3 (mm)	i (mm)	L1 (mm)	L2 (mm)	SW (mm)
XVR 04 LL ED	LL	PN 100	-	4	G 1/8" -28	M 8 x 1	14	8	20,0	9,5	14
XVR 06 LL ED	LL	PN 100	-	6	G 1/8" -28	M 10 x 1	14	8	20,0	8,0	14
XVR NW 04 HL ED	L	PN 315	-	6	G 1/8" -28	M 12 x 1,5	14	8	23,5	8,5	14
XVR NW 04 HL 1/4 ED	L	PN 315	-	6	G 1/4" -19	M 12 x 1,5	20	12	29,0	10,0	19
XVR NW 04 HL 1/2 ED	L	PN 315	-	6	G 1/2" -14	M 12 x 1,5	27	14	33,0	12,0	27
XVR NW 04 HL 3/8 ED	L	PN 315	-	6	G 3/8" -19	M 12 x 1,5	22	12	29,5	10,5	22
XVR NW 06 HL 1/8 ED	L	PN 315	-	8	G 1/8" -28	M 14 x 1,5	14	8	24,5	9,5	14
XVR NW 06 HL ED	L	PN 315	-	8	G 1/4" -19	M 14 x 1,5	19	12	29,0	10,0	19
XVR NW 06 HL 3/8 ED	L	PN 315	-	8	G 3/8" -19	M 14 x 1,5	22	12	30,5	11,5	22
XVR NW 06 HL 1/2 ED	L	PN 315	-	8	G 1/2" -14	M 14 x 1,5	27	14	33,0	12,0	27
XVR NW 08 HL 1/8 ED	L	PN 315	-	10	G 1/8" -28	M 16 x 1,5	14	8	25,5	10,5	19
XVR NW 08 HL ED	L	PN 315	-	10	G 1/4" -19	M 16 x 1,5	19	12	30,0	11,0	19
XVR NW 08 HL 3/8 ED	L	PN 315	-	10	G 3/8" -19	M 16 x 1,5	22	12	31,5	12,5	22
XVR NW 08 HL 1/2 ED	L	PN 315	-	10	G 1/2" -14	M 16 x 1,5	27	14	34,0	13,0	27
XVR NW 10 HL 1/4 ED	L	PN 315	-	12	G 1/4" -19	M 18 x 1,5	19	12	31,5	12,5	22
XVR NW 10 HL ED	L	PN 315	-	12	G 3/8" -19	M 18 x 1,5	22	12	31,5	12,5	22
XVR NW 10 HL 1/2 ED	L	PN 315	-	12	G 1/2" -14	M 18 x 1,5	27	14	34,0	13,0	27
XVR NW 10 HL 3/4 ED	L	PN 250	-	12	G 3/4" -14	M 18 x 1,5	32	16	36,0	13,0	32
XVR NW 13 HL 3/8 ED	L	PN 315	-	15	G 3/8" -19	M 22 x 1,5	22	12	33,0	14,0	27
XVR NW 13 HL ED	L	PN 315	-	15	G 1/2" -14	M 22 x 1,5	27	14	35,0	14,0	27
XVR NW 13 HL 3/4 ED	L	PN 250	-	15	G 3/4" -14	M 22 x 1,5	32	16	38,0	15,0	32
XVR NW 16 HL 3/8 ED	L	PN 315	-	18	G 3/8" -19	M 26 x 1,5	22	12	33,5	14,0	27
XVR NW 16 HL ED	L	PN 315	-	18	G 1/2" -14	M 26 x 1,5	27	14	36,0	14,5	27
XVR NW 16 HL 3/4 ED	L	PN 250	-	18	G 3/4" -14	M 26 x 1,5	32	16	38,0	14,5	32
XVR NW 20 HL 1/2 ED	L	PN 160	-	22	G 1/2" -14	M 30 x 2	27	14	38,0	16,5	32
XVR NW 20 HL ED	L	PN 160	-	22	G 3/4" -14	M 30 x 2	32	16	40,0	16,5	32
XVR NW 20 HL 1 ED	L	PN 160	-	22	G 1" -11	M 30 x 2	40	18	42,0	16,5	41
XVR NW 25 HL 3/4 ED	L	PN 160	-	28	G 3/4" -14	M 36 x 2	32	16	41,0	17,5	41
XVR NW 25 HL ED	L	PN 160	-	28	G 1" -11	M 36 x 2	40	18	43,0	17,5	41
XVR NW 25 HL 1 1/4 ED	L	PN 160	-	28	G 1.1/4" -11	M 36 x 2	50	20	46,0	18,5	50
XVR NW 32 HL 1 ED	L	PN 160	-	35	G 1" -11	M 45 x 2	40	18	46,0	17,5	50
XVR NW 32 HL ED	L	PN 160	-	35	G 1.1/4" -11	M 45 x 2	50	20	48,0	17,5	50
XVR NW 32 HL 1 1/2 ED	L	PN 160	30	35	G 1.1/2" -11	M 45 x 2	55	22	52,0	19,5	55
XVR NW 40 HL 1 1/4 ED	L	PN 160	-	42	G 1.1/4" -11	M 52 x 2	50	20	50,0	19,0	55
XVR NW 40 HL ED	L	PN 160	-	42	G 1.1/2" -11	M 52 x 2	55	22	52,0	19,0	55
XVR NW 03 HS ED	S	PN 630	-	6	G 1/4" -19	M 14 x 1,5	19	12	32,0	13,0	19
XVR NW 03 HS 1/2 ED	S	PN 630	-	6	G 1/2" -14	M 14 x 1,5	27	14	39,0	18,0	27
XVR NW 04 HS ED	S	PN 630	-	8	G 1/4" -19	M 16 x 1,5	19	12	34,0	15,0	19
XVR NW 04 HS 3/8 ED	S	PN 630	-	8	G 3/8" -19	M 16 x 1,5	22	12	34,5	15,5	22
XVR NW 06 HS 1/4 ED	S	PN 630	-	10	G 1/4" -19	M 18 x 1,5	19	12	34,0	14,5	22



Articol

Denumire	Seria	Presiune de lucru bar	Ø d1 (mm)	Ø d2 (mm)	G1	G2	Ø d3 (mm)	i (mm)	L1 (mm)	L2 (mm)	SW (mm)
XVR NW 06 HS ED	S	PN 630	-	10	G 3/8" -19	M 18 x 1,5	22	12	34,5	15,0	22
XVR NW 06 HS 1/2 ED	S	PN 630	-	10	G 1/2" -14	M 18 x 1,5	27	14	39,0	17,5	27
XVR NW 08 HS 1/4 ED	S	PN 630	-	12	G 1/4" -19	M 20 x 1,5	19	12	36,0	16,5	22
XVR NW 08 HS ED	S	PN 630	-	12	G 3/8" -19	M 20 x 1,5	22	12	36,5	17,0	22
XVR NW 08 HS 1/2 ED	S	PN 630	-	12	G 1/2" -14	M 20 x 1,5	27	14	39,0	17,5	27
XVR NW 10 HS 3/8 ED	S	PN 630	-	14	G 3/8" -19	M 22 x 1,5	22	12	38,5	18,5	27
XVR NW 10 HS ED	S	PN 630	-	14	G 1/2" -14	M 22 x 1,5	27	14	41,0	19,0	27
XVR NW 10 HS 3/4 ED	S	PN 630	-	14	G 3/4" -14	M 22 x 1,5	32	16	45,0	21,0	32
XVR NW 13 HS 3/8 ED	S	PN 400	-	16	G 3/8" -19	M 24 x 1,5	22	12	38,5	18,0	27
XVR NW 13 HS ED	S	PN 400	-	16	G 1/2" -14	M 24 x 1,5	27	14	41,0	18,5	27
XVR NW 13 HS 3/4 ED	S	PN 400	-	16	G 3/4" -14	M 24 x 1,5	32	16	45,0	20,5	32
XVR NW 13 HS 1 ED	S	PN 400	-	16	G 1"	M 24 x 1,5	39	18	45,5	18,8	41
XVR NW 16 HS 1/2 ED	S	PN 400	-	20	G 1/2" -14	M 30 x 2	27	14	45,0	20,5	32
XVR NW 16 HS ED	S	PN 400	-	20	G 3/4" -14	M 30 x 2	32	16	47,0	20,5	32
XVR NW 16 HS 1 ED	S	PN 400	-	20	G 1" -11	M 30 x 2	40	18	51,0	22,5	41
XVR NW 20 HS 1/2 ED	S	PN 400	-	25	G 1/2" -14	M 36 x 2	27	14	49,0	23,0	41
XVR NW 20 HS 3/4 ED	S	PN 400	-	25	G 3/4" -14	M 36 x 2	32	16	51,0	23,0	41
XVR NW 20 HS ED	S	PN 400	-	25	G 1" -11	M 36 x 2	40	18	53,0	23,0	41
XVR NW 25 HS 1 ED	S	PN 400	-	30	G 1" -11	M 42 x 2	40	18	55,0	23,5	50
XVR NW 25 HS ED	S	PN 400	-	30	G 1.1/4" -11	M 42 x 2	50	20	57,0	23,5	50
XVR NW 32 HS 1 1/4 ED	S	PN 315	-	38	G 1.1/4" -11	M 52 x 2	50	20	62,0	26,0	55
XVR NW 32 HS ED	S	PN 315	-	38	G 1.1/2" -11	M 52 x 2	55	22	64,0	26,0	55

Seria: LL = foarte ușoară L = ușoară S = grea - PN = Presiunea nominală PB = Presiunea max. de lucru - Ø d2 = diametru exterior țevă

Variante produs

XVR ED VA Racord filetat tip tată, oțel inoxidabil

VR ED Racord filetat tip tată, Oțel

Piese de schimb

WD Garnitură moale pentru racorduri filetate tip tată