

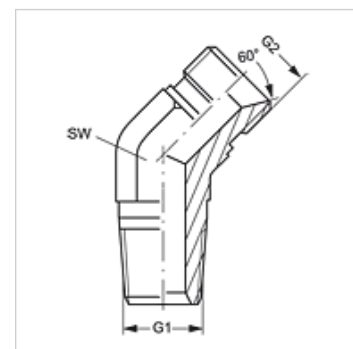
# W45 HRK HB

Ștuț filetat, unghi 45°

**HANSA FLEX**

## Caracteristici

Racord 1	Filete conice exterioare BSPT
Formă de etanșare 1	cu etanșare pe filet
Racord 2	Filete cilindrice exterioare BSP
Formă de etanșare 2	Con interior 60°
Tip constructiv	Ștuț de fixat prin înfiletare
Forma constructivă	Racord 45°
Material	Oțel
Protecția suprafeței	acoperire galvanică



## Articol

Denumire	G1	G2	SW (mm)
W45 HRK 04 HB	R 1/4" K	G 1/4" -19	14
W45 HRK 04 HB 06	R 1/4" K	G 3/8" -19	19
W45 HRK 06 HB 04	R 3/8" K	G 1/4" -19	19
W45 HRK 06 HB	R 3/8" K	G 3/8" -19	19
W45 HRK 06 HB 08	R 3/8" K	G 1/2" -14	22
W45 HRK 08 HB 06	R 1/2" K	G 3/8" -19	22
W45 HRK 08 HB	R 1/2" K	G 1/2" -14	22
W45 HRK 08 HB 12	R 1/2" K	G 3/4" -14	27
W45 HRK 12 HB 08	R 3/4" K	G 1/2" -14	27
W45 HRK 12 HB	R 3/4" K	G 3/4" -14	27
W45 HRK 12 HB 16	R 3/4" K	G 1" -11	33
W45 HRK 16 HB 12	R 1" K	G 3/4" -14	33
W45 HRK 16 HB	R 1" K	G 1" -11	33
W45 HRK 16 HB 20	R 1" K	G 1.1/4" -11	41
W45 HRK 20 HB 16	R 1.1/4" K	G 1" -11	41
W45 HRK 20 HB	R 1.1/4" K	G 1.1/4" -11	41
W45 HRK 20 HB 24	R 1.1/4" K	G 1.1/2" -11	48
W45 HRK 24 HB 20	R 1.1/2" K	G 1.1/4" -11	48
W45 HRK 24 HB	R 1.1/2" K	G 1.1/2" -11	48
W45 HRK 32 HB 24	R 2" K	G 1.1/2" -11	64
W45 HRK 32 HB	R 2" K	G 2" -11	64

SW = deschiderea cheii