

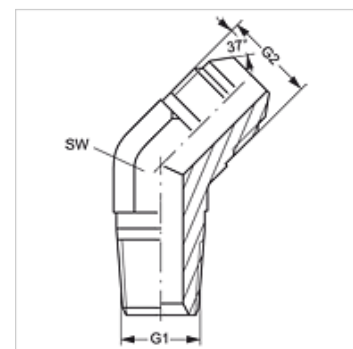
# W45 HRK HJ

Ștuț filetat, unghi 45°

**HANSA FLEX**

## Caracteristici

Racord 1	Filete conice exterioare BSPT
Formă de etanșare 1	cu etanșare pe filet
Racord 2	Filete UN/UNF exterioare
Formă de etanșare 2	Con exterior 74°
Tip constructiv	Ștuț de fixat prin înfiletare cu direcție reglabilă
Forma constructivă	Racord 45°
Material	Oțel
Protecția suprafeței	acoperire galvanică



## Articol

Denumire	G1	G2	SW (mm)
W45 HRK 02 HJ 04	R 1/8" K	7/16" -20 UNF	11
W45 HRK 02 HJ 05	R 1/8" K	1/2" -20 UNF	13
W45 HRK 02 HJ 06	R 1/8" K	9/16" -18 UNF	14
W45 HRK 04 HJ	R 1/4" K	7/16" -20 UNF	14
W45 HRK 04 HJ 05	R 1/4" K	1/2" -20 UNF	22
W45 HRK 04 HJ 06	R 1/4" K	9/16" -18 UNF	14
W45 HRK 04 HJ 08	R 1/4" K	3/4" -16 UNF	19
W45 HRK 06 HJ 04	R 3/8" K	7/16" -20 UNF	19
W45 HRK 06 HJ 05	R 3/8" K	1/2" -20 UNF	14
W45 HRK 06 HJ	R 3/8" K	9/16" -18 UNF	19
W45 HRK 06 HJ 08	R 3/8" K	3/4" -16 UNF	19
W45 HRK 06 HJ 10	R 3/8" K	7/8" -14 UNF	22
W45 HRK 08 HJ 04	R 1/2" K	7/16" -20 UNF	22
W45 HRK 08 HJ 06	R 1/2" K	9/16" -18 UNF	22
W45 HRK 08 HJ	R 1/2" K	3/4" -16 UNF	22
W45 HRK 08 HJ 10	R 1/2" K	7/8" -14 UNF	22
W45 HRK 08 HJ 12	R 1/2" K	1.1/16" -12 UN	27
W45 HRK 12 HJ	R 3/4" K	1.1/16" -12 UN	37
W45 HRK 12 HJ 10	R 3/4" K	7/8" -14 UNF	27
W45 HRK 12 HJ 16	R 3/4" K	1.5/16" -12 UN	33
W45 HRK 16 HJ 10	R 1" K	7/8" -14 UNF	33
W45 HRK 16 HJ 12	R 1" K	1.1/16" -12 UN	33
W45 HRK 16 HJ	R 1" K	1.5/16" -12 UN	33
W45 HRK 16 HJ 20	R 1" K	1.5/8" -12 UN	41
W45 HRK 20 HJ	R 1.1/4" K	1.5/8" -12 UN	41
W45 HRK 24 HJ	R 1.1/2" K	1.7/8" -12 UN	48
W45 HRK 32 HJ	R 2" K	2.1/2" -12 UN	66

SW = deschiderea cheii