

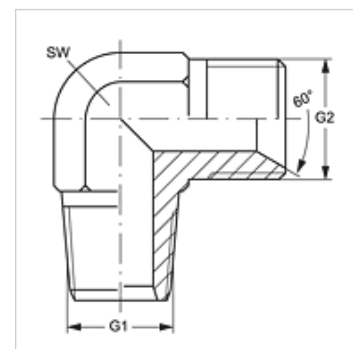
W90 HRK HB

Ștuț filetat, unghi 90°

HANSA FLEX

Caracteristici

Racord 1	Filete conice exterioare BSPT
Formă de etanșare 1	cu etanșare pe filet
Racord 2	Filete cilindrice exterioare BSP
Formă de etanșare 2	Con interior 60°
Tip constructiv	Ștuț de fixat prin înfiletare
Forma constructivă	Racord 90°
Material	Oțel
Protecția suprafeței	acoperire galvanică



Articol

Denumire	G1	G2	SW (mm)
W90 HRK 02 HB	R 1/8" K	G 1/8" -28	11
W90 HRK 02 HB 04	R 1/8" K	G 1/4" -19	11
W90 HRK 04 HB 02	R 1/4" K	G 1/8" -28	14
W90 HRK 04 HB	R 1/4" K	G 1/4" -19	14
W90 HRK 04 HB 06	R 1/4" K	G 3/8" -19	14
W90 HRK 06 HB 04	R 3/8" K	G 1/4" -19	14
W90 HRK 06 HB	R 3/8" K	G 3/8" -19	17
W90 HRK 06 HB 08	R 3/8" K	G 1/2" -14	19
W90 HRK 08 HB 06	R 1/2" K	G 3/8" -19	19
W90 HRK 08 HB	R 1/2" K	G 1/2" -14	19
W90 HRK 08 HB 12	R 1/2" K	G 3/4" -14	27
W90 HRK 12 HB 08	R 3/4" K	G 1/2" -14	27
W90 HRK 12 HB	R 3/4" K	G 3/4" -14	27
W90 HRK 12 HB 16	R 3/4" K	G 1" -11	33
W90 HRK 16 HB 12	R 1" K	G 3/4" -14	33
W90 HRK 16 HB	R 1" K	G 1" -11	36
W90 HRK 20 HB	R 1.1/4" K	G 1.1/4" -11	41
W90 HRK 24 HB	R 1.1/2" K	G 1.1/2" -11	48
W90 HRK 32 HB	R 2" K	G 2" -11	64

SW = deschiderea cheii