

SAE O-RING

Inel O SAE

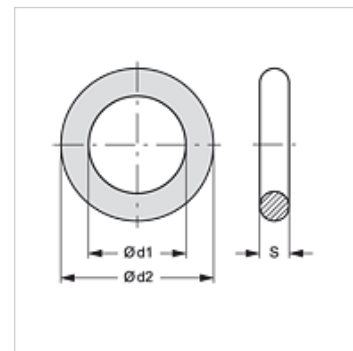
HANSA FLEX

Caracteristici

Tip constructiv Inel O SAE

Standard SAE J518

Material NBR SH 90



Articol

| Denumire | Ø d1 (mm) | Ø d2 (mm) | S (mm) |
|------------------|--------------|--------------|-----------|
| SAE O-RING 1/2 | 18,66 | 25,72 | 3,53 |
| SAE O-RING 3/4 | 25,00 | 32,06 | 3,53 |
| SAE O-RING 1 | 32,92 | 39,98 | 3,53 |
| SAE O-RING 1 1/4 | 37,70 | 44,76 | 3,53 |
| SAE O-RING 1 1/2 | 47,22 | 54,28 | 3,53 |
| SAE O-RING 2 | 56,75 | 63,81 | 3,53 |
| SAE O-RING 2 1/2 | 69,45 | 76,51 | 3,53 |
| SAE O-RING 3 | 85,32 | 92,38 | 3,53 |
| SAE O-RING 3 1/2 | 98,02 | 105,08 | 3,53 |
| SAE O-RING 4 | 110,72 | 117,78 | 3,53 |

Variante produs

SAE O-RING V Inel O SAE FKM, FKM SH 90 (Viton)