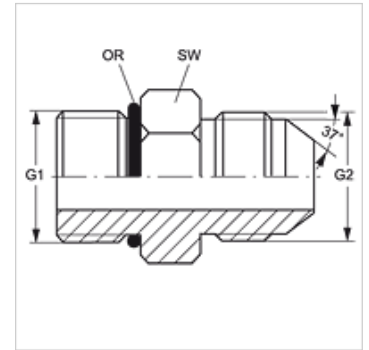
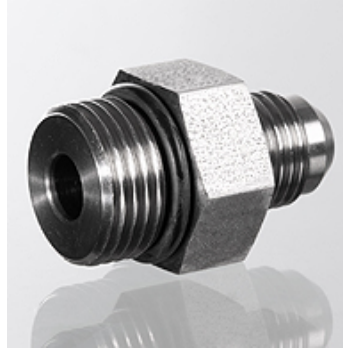


GE HRO HJ

Ștuț de fixat prin înfiletare

Caracteristici

Racord 1	Filete cilindrice exterioare BSP
Formă de etanșare 1	Formă G
Racord 2	Filete UN/UNF exterioare
Formă de etanșare 2	Con exterior 74°
Tip constructiv	Ștuț de fixat prin înfiletare
Forma constructivă	drept
Material	Oțel
Protecția suprafeței	acoperire galvanică



Articol

Denumire	G1	G2	SW (mm)	Inel O
GE HRO 02 HJ 04	G 1/8" -28	7/16" -20 UNF	16	7,65 x 1,78
GE HRO 02 HJ 05	G 1/8" -28	1/2" -20 UNF	16	7,65 x 1,78
GE HRO 04 HJ	G 1/4" -19	7/16" -20 UNF	19	10,78 x 2,62
GE HRO 04 HJ 05	G 1/4" -19	1/2" -20 UNF	19	10,78 x 2,62
GE HRO 04 HJ 06	G 1/4" -19	9/16" -18 UNF	19	10,78 x 2,62
GE HRO 04 HJ 08	G 1/4" -19	3/4" -16 UNF	19	10,78 x 2,62
GE HRO 06 HJ 04	G 3/8" -19	7/16" -20 UNF	24	13,94 x 2,62
GE HRO 06 HJ 05	G 3/8" -19	1/2" -20 UNF	24	13,94 x 2,62
GE HRO 06 HJ	G 3/8" -19	9/16" -18 UNF	24	13,94 x 2,62
GE HRO 06 HJ 08	G 3/8" -19	3/4" -16 UNF	24	13,94 x 2,62
GE HRO 06 HJ 10	G 3/8" -19	7/8" -14 UNF	24	13,94 x 2,62
GE HRO 08 HJ 04	G 1/2" -14	7/16" -20 UNF	28	17,86 x 2,62
GE HRO 08 HJ 06	G 1/2" -14	9/16" -18 UNF	28	17,86 x 2,62
GE HRO 08 HJ	G 1/2" -14	3/4" -16 UNF	28	17,86 x 2,62
GE HRO 08 HJ 10	G 1/2" -14	7/8" -14 UNF	28	17,86 x 2,62
GE HRO 08 HJ 12	G 1/2" -14	1.1/16" -12 UN	28	17,86 x 2,62
GE HRO 12 HJ 08	G 3/4" -14	3/4" -16 UNF	35	23,47 x 2,62
GE HRO 12 HJ	G 3/4" -14	1.1/16" -12 UN	35	23,47 x 2,62
GE HRO 12 HJ 14	G 3/4" -14	1.3/16" -12 UN	35	23,47 x 2,62
GE HRO 12 HJ 16	G 3/4" -14	1.5/16" -12 UN	35	23,47 x 2,62
GE HRO 16 HJ 12	G 1" -11	1.1/16" -12 UN	43	29,74 x 3,53
GE HRO 16 HJ	G 1" -11	1.5/16" -12 UN	43	29,74 x 3,53
GE HRO 16 HJ 20	G 1" -11	1.5/8" -12 UN	43	29,74 x 3,53
GE HRO 20 HJ 16	G 1.1/4" -11	1.5/16" -12 UN	52	37,69 x 3,53
GE HRO 20 HJ	G 1.1/4" -11	1.5/8" -12 UN	52	37,69 x 3,53
GE HRO 20 HJ 24	G 1.1/4" -11	1.7/8" -12 UN	52	37,69 x 3,53
GE HRO 24 HJ	G 1.1/2" -11	1.7/8" -12 UN	58	44,04 x 3,53

SW = deschiderea cheii