

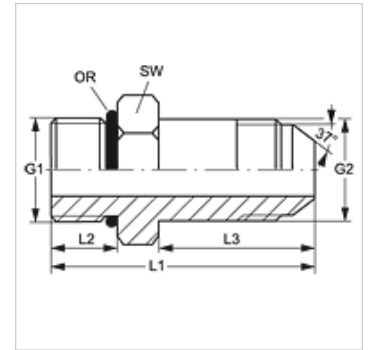
# GE HRO L HJ

Ștuț lung de fixat prin înfiletare

**HANSA FLEX**

## Caracteristici

Racord 1	Filete cilindrice exterioare BSP
Formă de etanșare 1	Formă G
Racord 2	Filete UN/UNF exterioare
Formă de etanșare 2	Con exterior 74°
Tip constructiv	Ștuț lung de fixat prin înfiletare
Forma constructivă	drept
Material	Oțel
Protecția suprafeței	acoperire galvanică



## Articol

Denumire	G1	G2	L1 (mm)	L2 (mm)	L3 (mm)	SW (mm)	Inel O
GE HRO L 02 HJ 04	G 1/8" -28	7/16" -20 UNF	50,0	8	35	16	7,65 x 1,78
GE HRO L 04 HJ	G 1/4" -19	7/16" -20 UNF	55,5	12	35	20	10,78 x 2,62
GE HRO L 04 HJ 05	G 1/4" -19	1/2" -20 UNF	57,5	12	37	20	10,78 x 2,62
GE HRO L 04 HJ 06	G 1/4" -19	9/16" -18 UNF	59,5	12	39	20	10,78 x 2,62
GE HRO L 04 HJ 08	G 1/4" -19	3/4" -16 UNF	68,5	12	48	20	10,78 x 2,62
GE HRO L 06 HJ	G 3/8" -19	9/16" -18 UNF	59,5	12	39	24	13,94 x 2,62
GE HRO L 06 HJ 05	G 3/8" -19	1/2" -20 UNF	57,5	12	37	24	13,94 x 2,62
GE HRO L 06 HJ 08	G 3/8" -19	3/4" -16 UNF	68,5	12	48	24	13,94 x 2,62
GE HRO L 06 HJ 10	G 3/8" -19	7/8" -14 UNF	74,0	12	53	24	13,94 x 2,62
GE HRO L 08 HJ	G 1/2" -14	3/4" -16 UNF	72,0	14	48	28	17,86 x 2,62
GE HRO L 08 HJ 06	G 1/2" -14	9/16" -18 UNF	63,0	14	39	28	17,86 x 2,62
GE HRO L 08 HJ 10	G 1/2" -14	7/8" -14 UNF	77,0	14	53	28	17,86 x 2,62
GE HRO L 08 HJ 12	G 1/2" -14	1.1/16" -12 UN	88,0	14	63	28	17,86 x 2,62
GE HRO L 12 HJ	G 3/4" -14	1.1/16" -12 UN	91,0	16	63	35	23,47 x 2,62
GE HRO L 12 HJ 10	G 3/4" -14	7/8" -14 UNF	81,0	16	53	35	23,47 x 2,62
GE HRO L 12 HJ 16	G 3/4" -14	1.5/16" -12 UN	100,0	16	72	35	23,47 x 2,62
GE HRO L 16 HJ	G 1" -11	1.5/16" -12 UN	102,0	18	72	43	29,74 x 3,53
GE HRO L 16 HJ 12	G 1" -11	1.1/16" -12 UN	93,5	18	63	43	29,74 x 3,53
GE HRO L 16 HJ 20	G 1" -11	1.5/8" -12 UN	119,0	18	88	43	29,74 x 3,53
GE HRO L 20 HJ	G 1.1/4" -11	1.5/8" -12 UN	119,0	18	88	52	37,69 x 3,53
GE HRO L 20 HJ 16	G 1.1/4" -11	1.5/16" -12 UN	106,0	20	72	52	37,69 x 3,53
GE HRO L 20 HJ 24	G 1.1/4" -11	1.7/8" -12 UN	132,0	20	98	52	37,69 x 3,53
GE HRO L 24 HJ	G 1.1/2" -11	1.7/8" -12 UN	136,0	22	98	58	44,04 x 3,53

SW = deschiderea cheii