

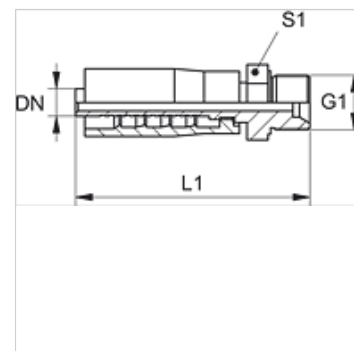
PAY 300 HB

Armătură de sertizat, AGR

HANSA FLEX

Caracteristici

| | |
|----------------------|------------------------------------|
| Racord 1 | Filete cilindrice exterioare BSP |
| Formă de etanșare 1 | Con interior 60° |
| Prescurtare | AGR |
| Standard | ISO 8434-6 BS 5200 |
| Set de livrare | Niplu de presare + montură presată |
| Material | Oțel |
| Protecția suprafeței | acoperire galvanică |



Articol

| Denumire | DN | Dimensiune | Țol | G1 | L1 (mm) | S1 |
|---------------|----|------------|--------|--------------|---------|----|
| PAY 306 HB | 6 | 4 | 1/4" | G 1/4" -19 | 64,0 | 17 |
| PAY 308 HB 10 | 8 | 5 | 5/16" | G 3/8" -19 | 64,0 | 22 |
| PAY 310 HB | 10 | 6 | 3/8" | G 3/8" -19 | 71,0 | 22 |
| PAY 310 HB 13 | 10 | 6 | 3/8" | G 1/2" -14 | 76,0 | 22 |
| PAY 313 HB | 12 | 8 | 1/2" | G 1/2" -14 | 79,0 | 24 |
| PAY 316 HB 20 | 16 | 10 | 5/8" | G 3/4" -14 | 92,0 | 32 |
| PAY 320 HB | 19 | 12 | 3/4" | G 3/4" -14 | 92,0 | 32 |
| PAY 320 HB 25 | 19 | 12 | 3/4" | G 1" -11 | 100,0 | 36 |
| PAY 325 HB | 25 | 16 | 1" | G 1" -11 | 100,0 | 36 |
| PAY 325 HB 32 | 25 | 16 | 1" | G 1.1/4" -11 | 103,0 | 50 |
| PAY 332 HB 40 | 31 | 20 | 1.1/4" | G 1.1/2" -11 | 118,0 | 55 |