

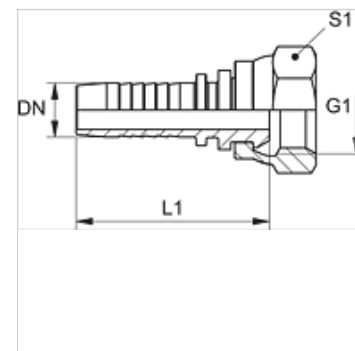
PN AB

Niplu de sertizat, DKR

HANSA FLEX

Caracteristici

Domeniul de utilizare	niplu de presare pentru furtunuri HD 100 până la HD 400, KP, TE
Racord 1	Filete BSP de piuliță
Formă de etanșare 1	Con exterior 60°
Prescurtare	DKR
Standard	ISO 8434-6 BS 5200
Material	Oțel
Protecția suprafeței	acoperire galvanică



Indicație

Vă rugăm alegeți montura corespunzătoare în funcție de tipul furtunului.

Articol

Denumire	DN	Dimensiune	Țol	Presiune de lucru (bar)	G1	L1 (mm)	S1
PN 04 AB	5	3	3/16"	350,0	G 1/8" -28	37,0	14
PN 04 AB 06	5	3	3/16"	400,0	G 1/4" -19	37,5	19
PN 06 AB 02	6	4	1/4"	350,0	G 1/8" -28	43,0	14
PN 06 AB	6	4	1/4"	400,0	G 1/4" -19	44,5	19
PN 06 AB 10	6	4	1/4"	400,0	G 3/8" -19	46,5	22
PN 08 AB 06	8	5	5/16"	400,0	G 1/4" -19	45,0	19
PN 08 AB 10	8	5	5/16"	400,0	G 3/8" -19	47,0	22
PN 08 AB 13	8	5	5/16"	350,0	G 1/2" -14	48,5	27
PN 10 AB 06	10	6	3/8"	400,0	G 1/4" -19	46,5	19
PN 10 AB	10	6	3/8"	400,0	G 3/8" -19	48,0	22
PN 10 AB 13	10	6	3/8"	350,0	G 1/2" -14	49,5	27
PN 13 AB 10	12	8	1/2"	350,0	G 3/8" -19	48,0	22
PN 13 AB	12	8	1/2"	350,0	G 1/2" -14	50,5	27
PN 13 AB 16	12	8	1/2"	350,0	G 5/8" -14	49,5	30
PN 13 AB 20	12	8	1/2"	315,0	G 3/4" -14	52,0	32
PN 16 AB 13	16	10	5/8"	350,0	G 1/2" -14	55,0	27
PN 16 AB	16	10	5/8"	350,0	G 5/8" -14	54,0	30
PN 16 AB 20	16	10	5/8"	315,0	G 3/4" -14	57,0	32
PN 16 AB 25	16	10	5/8"	250,0	G 1" -11	62,0	38
PN 20 AB 13	19	12	3/4"	315,0	G 1/2" -14	62,0	27
PN 20 AB 16	19	12	3/4"	315,0	G 5/8" -14	61,0	30
PN 20 AB	19	12	3/4"	315,0	G 3/4" -14	64,0	32
PN 20 AB 25	19	12	3/4"	250,0	G 1" -11	67,0	38
PN 25 AB	25	16	1"	250,0	G 1" -11	75,0	38
PN 25 AB 32	25	16	1"	250,0	G 1.1/4" -11	80,5	50
PN 32 AB	31	20	1.1/4"	250,0	G 1.1/4" -11	88,0	50
PN 40 AB	38	24	1.1/2"	210,0	G 1.1/2" -11	92,0	55
PN 50 AB	51	32	2"	210,0	G 2" -11	110,5	70

Variante produs

PN AB VA Niplu de sertizat, DKR, oțel inoxidabil