

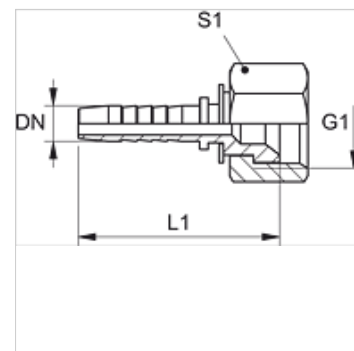
PN AJ

Niplu de sertizat, DKJ

HANSA FLEX

Caracteristici

Domeniul de utilizare	niplu de presare pentru furtunuri HD 100 până la HD 400, KP, TE
Racord 1	Filete UN/UNF de piuliță
Formă de etanșare 1	Con interior 74°
Prescurtare	DKJ
Standard	ISO 8434-2
Material	Oțel
Protecția suprafeței	acoperire galvanică



Indicație

Vă rugăm alegeți montura corespunzătoare în funcție de tipul furtunului.

Articol

Denumire	DN	Dimensiune	Țol	Presiune de lucru (bar)	G1	L1 (mm)	S1
PN 04 AJ 06	5	3	3/16"	410,0	7/16" -20 UNF	36,0	14
PN 06 AJ	6	4	1/4"	410,0	7/16" -20 UNF	42,0	14
PN 06 AJ 08	6	4	1/4"	410,0	1/2" -20 UNF	43,0	17
PN 06 AJ 10	6	4	1/4"	350,0	9/16" -18 UNF	44,5	19
PN 06 AJ 3/8	6	4	1/4"	410,0	3/8" -24 UNF	43,5	14
PN 08 AJ	8	5	5/16"	410,0	1/2" -20 UNF	43,0	17
PN 08 AJ 10	8	5	5/16"	350,0	9/16" -18 UNF	45,0	19
PN 08 AJ 13	8	5	5/16"	345,0	3/4" -16 UNF	46,5	24
PN 10 AJ 08	10	6	3/8"	350,0	1/2" -20 UNF	47,0	17
PN 10 AJ	10	6	3/8"	350,0	9/16" -18 UNF	46,0	19
PN 10 AJ 13	10	6	3/8"	345,0	3/4" -16 UNF	48,5	24
PN 10 AJ 16	10	6	3/8"	345,0	7/8" -14 UNF	49,5	27
PN 13 AJ	12	8	1/2"	345,0	3/4" -16 UNF	48,0	24
PN 13 AJ 10	12	8	1/2"	345,0	9/16" -18 UNF	49,0	19
PN 13 AJ 16	12	8	1/2"	345,0	7/8" -14 UNF	50,5	27
PN 13 AJ 20	12	8	1/2"	345,0	1.1/16" -12 UN	51,0	32
PN 16 AJ	16	10	5/8"	345,0	7/8" -14 UNF	53,5	27
PN 16 AJ 20	16	10	5/8"	345,0	1.1/16" -12 UN	56,0	32
PN 20 AJ 14	19	12	3/4"	345,0	1.3/16" -12 UN	64,0	36
PN 20 AJ 16	19	12	3/4"	345,0	7/8" -14 UNF	62,5	27
PN 20 AJ	19	12	3/4"	345,0	1.1/16" -12 UN	63,0	32
PN 20 AJ 25	19	12	3/4"	275,0	1.5/16" -12 UN	64,0	41
PN 25 AJ 20	25	16	1"	275,0	1.1/16" -12 UN	71,0	32
PN 25 AJ	25	16	1"	275,0	1.5/16" -12 UN	72,0	41
PN 25 AJ 32	25	16	1"	200,0	1.5/8" -12 UN	74,0	50
PN 32 AJ 25	31	20	1.1/4"	200,0	1.5/16" -12 UN	83,5	41
PN 32 AJ	31	20	1.1/4"	200,0	1.5/8" -12 UN	82,0	50
PN 32 AJ 40	31	20	1.1/4"	170,0	1.7/8" -12 UN	84,0	60
PN 40 AJ 32	38	24	1.1/2"	170,0	1.5/8" -12 UN	88,0	50
PN 40 AJ	38	24	1.1/2"	170,0	1.7/8" -12 UN	87,5	60
PN 50 AJ	51	32	2"	170,0	2.1/2" -12 UN	108,0	75

Variante produs

PN AJ VA Niplu de sertizat, DKJ, oțel inoxidabil