

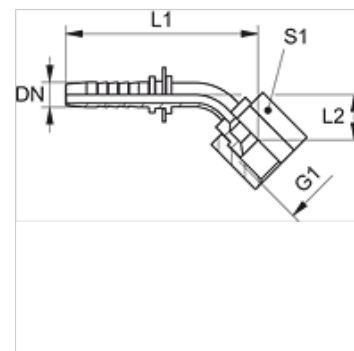
PN AJ 45

Niplu de sertizat, DKJ 45°

HANSA FLEX

Caracteristici

Domeniul de utilizare	niplu de presare pentru furtunuri HD 100 până la HD 400, KP, TE
Racord 1	Filete UN/UNF de piuliță
Formă de etanșare 1	Con interior 74°
Prescurtare	DKJ
Standard	ISO 8434-2
Material	Oțel
Protecția suprafeței	acoperire galvanică



Indicație

Vă rugăm alegeți montura corespunzătoare în funcție de tipul furtunului.

Articol

Denumire	DN	Dimensiune	Țol	Presiune de lucru (bar)	G1	L1 (mm)	L2 (mm)	S1
PN 04 AJ 06 45	5	3	3/16"	410,0	7/16" -20 UNF	54,5	12,5	14
PN 06 AJ 45	6	4	1/4"	410,0	7/16" -20 UNF	61,5	14,0	14
PN 06 AJ 08 45	6	4	1/4"	410,0	1/2" -20 UNF	62,0	13,5	17
PN 06 AJ 10 45	6	4	1/4"	350,0	9/16" -18 UNF	62,5	14,0	19
PN 08 AJ 45	8	5	5/16"	410,0	1/2" -20 UNF	68,5	18,5	17
PN 08 AJ 10 45	8	5	5/16"	350,0	9/16" -18 UNF	64,0	15,0	19
PN 10 AJ 08 45	10	6	3/8"	350,0	1/2" -20 UNF	73,0	18,5	17
PN 10 AJ 45	10	6	3/8"	350,0	9/16" -18 UNF	70,5	17,5	19
PN 10 AJ 13 45	10	6	3/8"	345,0	3/4" -16 UNF	72,0	19,0	24
PN 10 AJ 16 45	10	6	3/8"	345,0	7/8" -14 UNF	72,5	19,5	27
PN 13 AJ 45	12	8	1/2"	345,0	3/4" -16 UNF	80,5	20,5	24
PN 13 AJ 16 45	12	8	1/2"	345,0	7/8" -14 UNF	81,5	21,5	27
PN 13 AJ 20 45	12	8	1/2"	345,0	1.1/16" -12 UN	82,5	22,5	32
PN 16 AJ 14 45	16	10	5/8"	345,0	1.3/16" -12 UN	93,5	30,0	36
PN 16 AJ 45	16	10	5/8"	345,0	7/8" -14 UNF	96,5	25,5	27
PN 16 AJ 20 45	16	10	5/8"	345,0	1.1/16" -12 UN	97,0	26,0	32
PN 20 AJ 14 45	19	12	3/4"	345,0	1.3/16" -12 UN	108,5	29,0	36
PN 20 AJ 45	19	12	3/4"	345,0	1.1/16" -12 UN	108,0	28,5	32
PN 20 AJ 25 45	19	12	3/4"	275,0	1.5/16" -12 UN	108,5	29,0	41
PN 25 AJ 14 45	25	16	1"	275,0	1.3/16" -12 UN	117,5	32,5	36
PN 25 AJ 45	25	16	1"	275,0	1.5/16" -12 UN	134,5	32,5	41
PN 25 AJ 32 45	25	16	1"	200,0	1.5/8" -12 UN	135,5	34,0	50
PN 32 AJ 45	31	20	1.1/4"	200,0	1.5/8" -12 UN	161,0	41,0	50
PN 32 AJ 40 45	31	20	1.1/4"	170,0	1.7/8" -12 UN	162,0	42,0	60
PN 40 AJ 45	38	24	1.1/2"	170,0	1.7/8" -12 UN	184,5	46,5	60
PN 50 AJ 45	51	32	2"	170,0	2.1/2" -12 UN	231,0	67,0	75

Variante produs

PN AJ 45 VA Niplu de sertizat, DKJ 45°, oțel inoxidabil