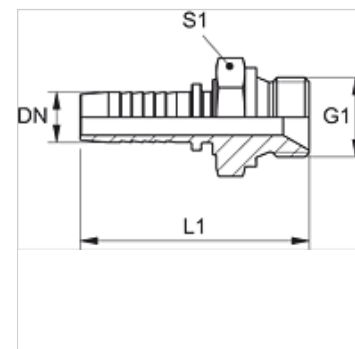


PN HB VA

Niplu de sertizat, AGR

Caracteristici

| | |
|------------------------------|---|
| Domeniul de utilizare | niplu de presare pentru furtunuri HD 100 până la HD 400, KP, TE |
| Racord 1 | Filete cilindrice exterioare BSP |
| Formă de etanșare 1 | Con interior 60° |
| Prescurtare | AGR |
| Standard | ISO 8434-6 BS 5200 |
| Material | oțel inoxidabil |



Indicație

Vă rugăm alegeți montura corespunzătoare în funcție de tipul furtunului.

Articol

| Denumire | DN | Dimensiune | Țol | Presiune de lucru (bar) | G1 | S1 |
|----------------|----|------------|--------|-------------------------|--------------|----|
| PN 06 HB 02 VA | 6 | 4 | 1/4" | - | G 1/8" -28 | 14 |
| PN 06 HB VA | 6 | 4 | 1/4" | 400,0 | G 1/4" -19 | 19 |
| PN 06 HB 10 VA | 6 | 4 | 1/4" | 400,0 | G 3/8" -19 | 19 |
| PN 06 HB 13 VA | 6 | 4 | 1/4" | 350,0 | G 1/2" -14 | 27 |
| PN 08 HB 06 VA | 8 | 5 | 5/16" | 400,0 | G 1/4" -19 | 19 |
| PN 08 HB 10 VA | 8 | 5 | 5/16" | 400,0 | G 3/8" -19 | 22 |
| PN 08 HB 13 VA | 8 | 5 | 5/16" | 350,0 | G 1/2" -14 | 27 |
| PN 10 HB 06 VA | 10 | 6 | 3/8" | 400,0 | G 1/4" -19 | 19 |
| PN 10 HB VA | 10 | 6 | 3/8" | 400,0 | G 3/8" -19 | 22 |
| PN 10 HB 13 VA | 10 | 6 | 3/8" | 350,0 | G 1/2" -14 | 27 |
| PN 13 HB 10 VA | 12 | 8 | 1/2" | 350,0 | G 3/8" -19 | 22 |
| PN 13 HB VA | 12 | 8 | 1/2" | 350,0 | G 1/2" -14 | 27 |
| PN 13 HB 20 VA | 12 | 8 | 1/2" | 315,0 | G 3/4" -14 | 32 |
| PN 16 HB 13 VA | 16 | 10 | 5/8" | 350,0 | G 1/2" -14 | 27 |
| PN 16 HB VA | 16 | 10 | 5/8" | 350,0 | G 5/8" -14 | 30 |
| PN 16 HB 20 VA | 16 | 10 | 5/8" | 250,0 | G 3/4" -14 | 32 |
| PN 20 HB 13 VA | 19 | 12 | 3/4" | 315,0 | G 1/2" -14 | 27 |
| PN 20 HB VA | 19 | 12 | 3/4" | 315,0 | G 3/4" -14 | 32 |
| PN 20 HB 25 VA | 19 | 12 | 3/4" | 250,0 | G 1" -11 | 41 |
| PN 25 HB 20 VA | 25 | 16 | 1" | 250,0 | G 3/4" -14 | 36 |
| PN 25 HB VA | 25 | 16 | 1" | 250,0 | G 1" -11 | 41 |
| PN 25 HB 32 VA | 25 | 16 | 1" | 160,0 | G 1.1/4" -11 | 50 |
| PN 32 HB VA | 31 | 20 | 1.1/4" | 160,0 | G 1.1/4" -11 | 50 |
| PN 32 HB 40 VA | 31 | 20 | 1.1/4" | 125,0 | G 1.1/2" -11 | 55 |
| PN 40 HB VA | 38 | 24 | 1.1/2" | 125,0 | G 1.1/2" -11 | 55 |
| PN 50 HB VA | 51 | 32 | 2" | 80,0 | G 2" -11 | 70 |

Variante produs

PN HB Niplu de sertizat, AGR, Oțel